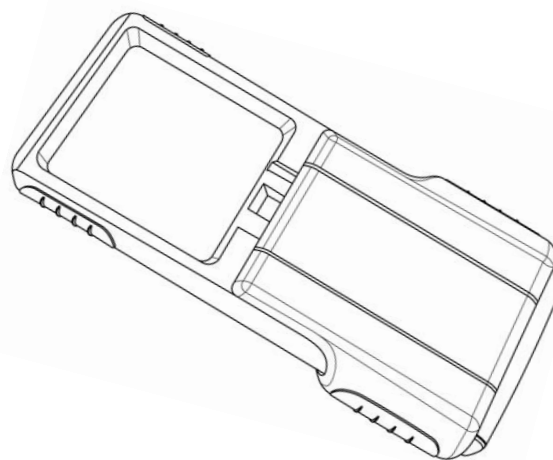


CARSON®

PO-25

MINIBRITE™

3X LED LIGHTED MAGNIFIER



Instructions for use:

Installing Batteries

Slide up protective sleeve to reveal battery door (Fig. 1). Slide battery door back and pull up to remove (Fig. 2). Insert three AAA batteries according to polarity indicators marked inside battery compartment (Fig. 3). Batteries must click into place. Replace battery door (Fig. 4).

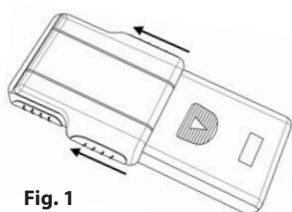


Fig. 1

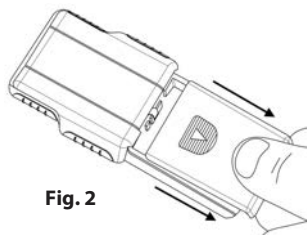


Fig. 2

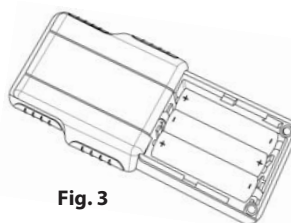
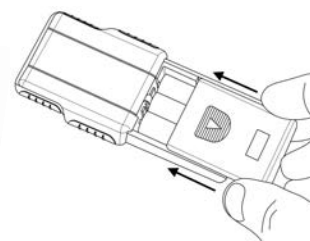


Fig. 3



To Activate LED Light

Slide down protective sleeve until you hear a click. This will reveal lens and activate LED light (Fig. 5). When not in use, slide protective sleeve over lens to turn off light and protect lens from damage during storage (Fig. 6).

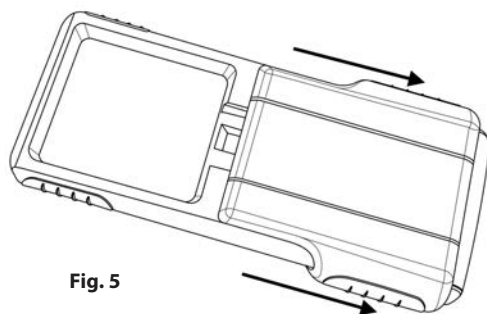


Fig. 5

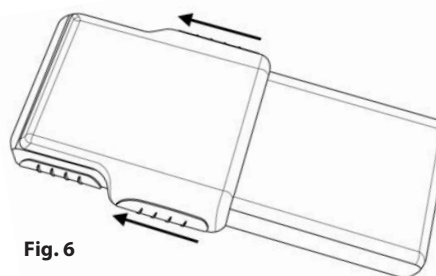


Fig. 6

Warning: Use only alkaline batteries. Mixing old and new, different brands or types within brands may cause batteries to leak, overheat or explode. Keep away from fire or excessive heat. Inspect batteries for corrosion or leakage. Insert in direction indicated. Rechargeable batteries not recommended.

Cleaning Your Magnifier

Clean lens with a soft, clean microfiber cloth by rubbing gently in a circular motion. Moisten the lens cloth with water if needed. Do not use harsh chemicals, solvents or abrasives as they may damage the lens.

Customer Service:

If you experience any difficulties, please contact us and we will be happy to help you.

In the U.S.A.

Phone: 1-631-963-5000

Email: info@carson.com

In the U.K.

Phone: +44 (0) 1938 557440

Email: uksupport@carson.com

In the E.U.

Phone: +44 (0) 1938 557440

Email: eusupport@carson.com

For warranty information, visit www.carson.com/warranty