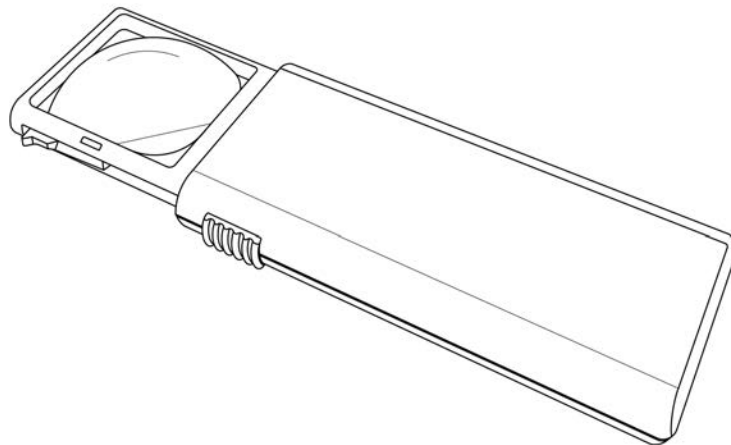


## LUMIPOP™

LED LIGHTED ASPHERIC  
LENS MAGNIFIER



### Instructions for Use

#### Installing the Batteries

Make sure lens is positioned inside of protective case. Slide battery door down and remove (Fig. 1). Lift gray plastic brace up (Fig. 2). Insert 3 AAA batteries according to the polarity indicators marked on the inside of battery compartment. Make sure red ribbon is underneath batteries (Fig. 3). Fold down gray plastic brace and replace battery cover when complete (Fig. 4 and 5).

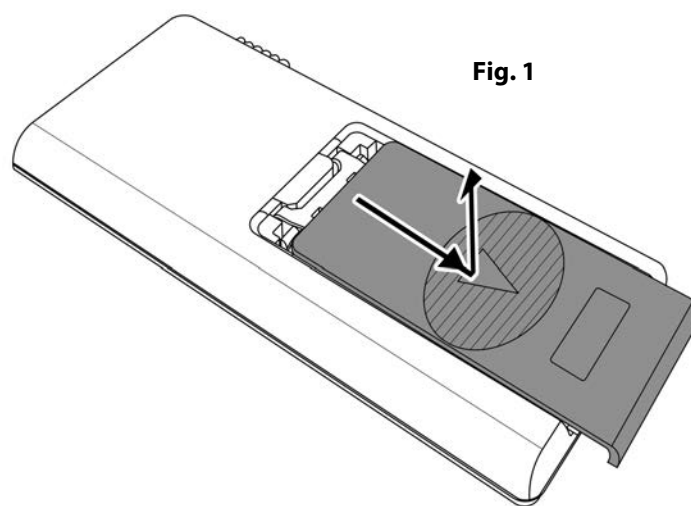


Fig. 1

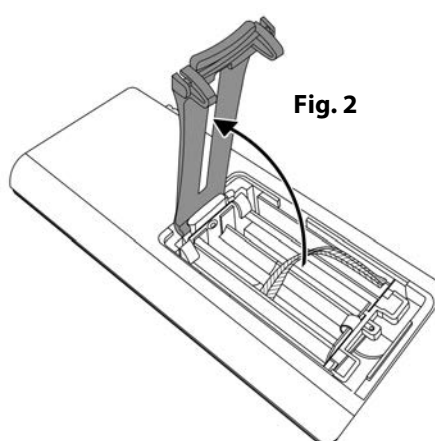


Fig. 2

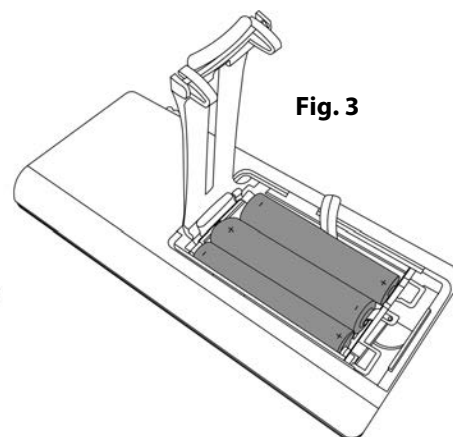


Fig. 3

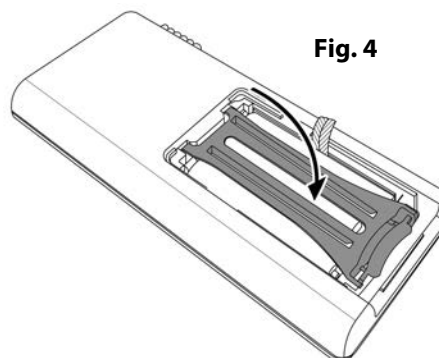


Fig. 4

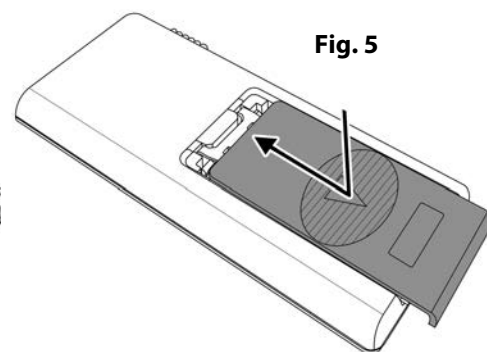
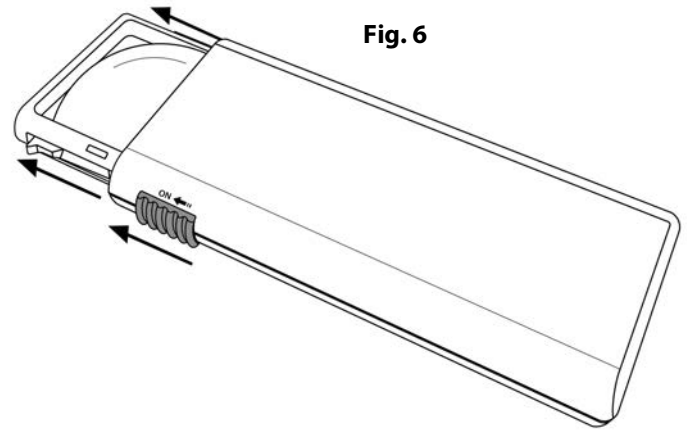


Fig. 5

**WARNING:** Use only alkaline batteries. Mixing old and new, different brands or types within brands may cause batteries to leak, overheat or explode. Keep away from fire or excessive heat. Inspect batteries for corrosion or leakage. Insert in direction indicated. Rechargeable batteries not recommended.

### **Extending Lens**

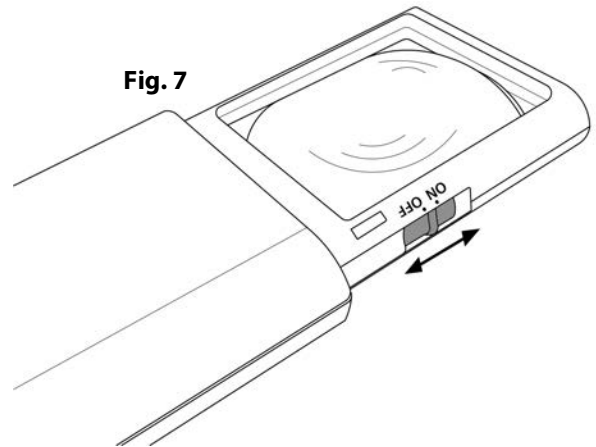
Slide switch located on side of base forward to extend lens (Fig. 6).



**Fig. 6**

### **Activating LED lights**

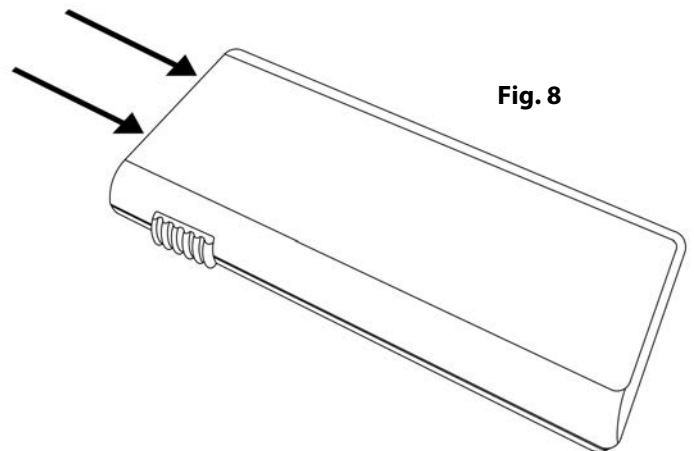
Slide switch located on side of lens housing forward to activate LED lights (Fig. 7). Turn off LED lights when not in use.



**Fig. 7**

### **Safe storage**

To protect lens from scratching, push lens housing back into base when not in use (Fig. 8).



**Fig. 8**

### **Cleaning Your Magnifier**

Clean lens with a soft, clean microfiber cloth by rubbing gently in a circular motion. Moisten the lens cloth with water if necessary. Do not use harsh chemicals, solvents or abrasives as they may damage the lens.

### **Customer Service:**

If you experience any difficulties, please contact us and we will be happy to help you.

#### **In the U.S.A.**

**Phone:** 1-631-963-5000

**Email:** info@carson.com

#### **In the U.K.**

**Phone:** +44 (0) 1938 557440

**Email:** uksupport@carson.com

#### **In the E.U.**

**Phone:** +44 (0) 1938 557440

**Email:** eusupport@carson.com

**For warranty information, visit [www.carson.com/warranty](http://www.carson.com/warranty)**