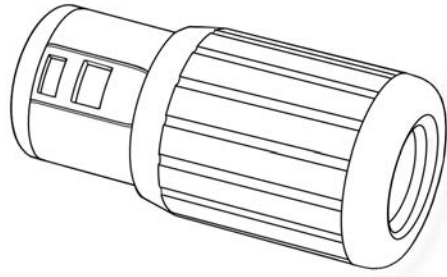


CARSON[®]

CLOSEUP™ CF-618

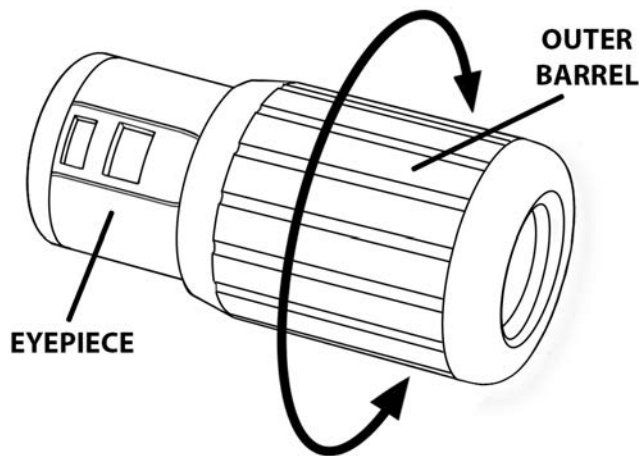
6x18mm Close Focus Monocular



Focusing Your Monocular:

To focus simply twist the outer barrel while holding the eyepiece steady until the object you are viewing is clear and sharp.

The close focus optical system allows you to focus on a subject as close as 10 inches in front of you.



Cleaning Your Monocular:

Blow away any dust or debris on the lens (or use a soft lens brush).

To remove dirt, grease or fingerprints, clean with a soft microfiber cloth rubbing in a circular motion. Use of a coarse cloth or unnecessary rubbing may scratch the lens surface and eventually cause permanent damage.

For a more thorough cleaning, photographic type lens cleaning fluid may be used. Always apply the fluid to the cleaning cloth, never directly on the lens.

Warning:

Do not drop or violently jar your monocular. This may cause the internal optical components of your monocular to become misaligned and reduce the quality of the image.

Do not expose the monocular to excessive moisture.

Viewing the sun can cause permanent eye damage. Do not view the sun with this monocular.