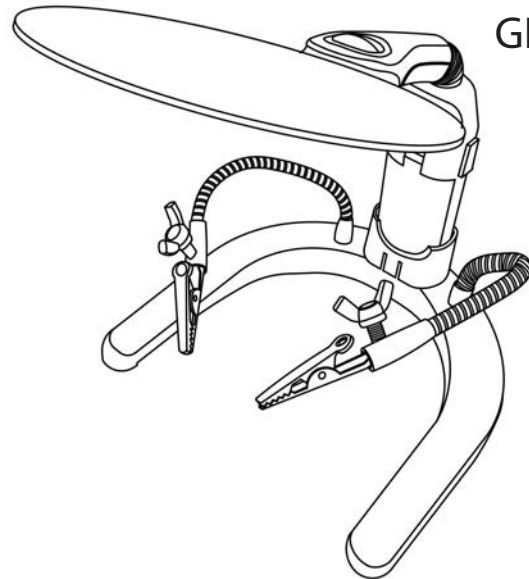


CARSON®

HELPINGHANDS™

2x LED LIGHTED SOLDERING AND CRAFT MAGNIFIER

GN-88



Instructions for use:

Installing Batteries

Pull open battery door (Fig. 1). Insert 2 AA batteries as shown in Fig. 2. Make sure to follow polarity indicators marked inside battery compartment. Replace battery door (Fig. 3).

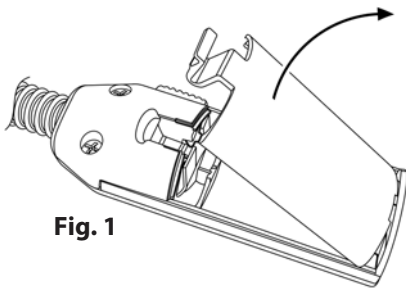


Fig. 1

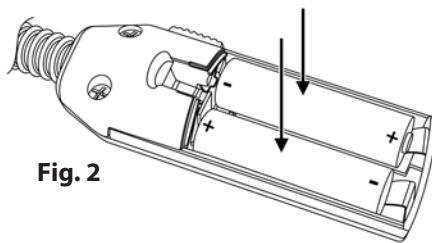


Fig. 2

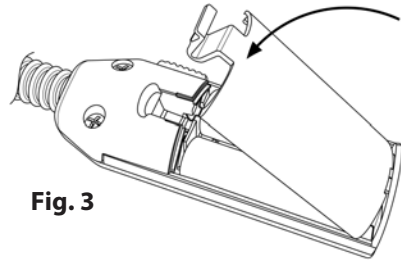


Fig. 3

Warning: Use only alkaline batteries. Mixing old and new, different brands or types within brands may cause batteries to leak, overheat or explode. Keep away from fire or excessive heat. Inspect batteries for corrosion or leakage. Insert in direction indicated. Rechargeable batteries not recommended.

Attaching Flexible Arms

Locate flexible metal arms and remove nuts from ends (Fig. 4). Insert ends of metal arms into holes in U shaped base (Fig. 5-6). Reattach nuts to secure arms to base (Fig. 7).

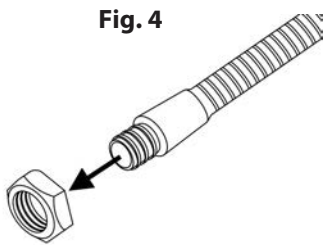


Fig. 4

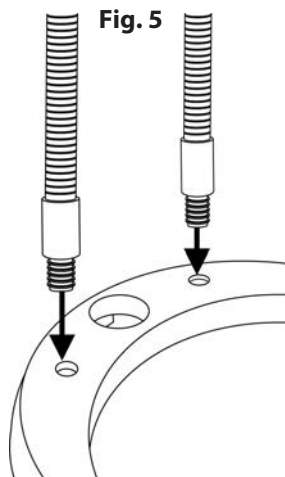


Fig. 5

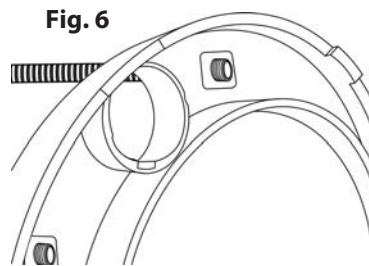


Fig. 6

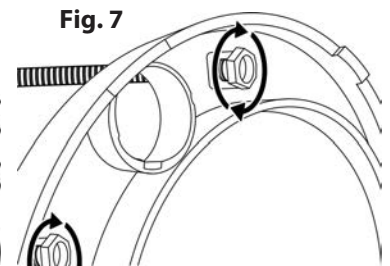


Fig. 7

To Use Hands-Free

Snap adapter into base. Please note that adapter is "keyed" to fit only one way (Fig. 8). Place magnifier handle into adapter (Fig. 9). It is also keyed and will easily "click-lock" into base when correctly inserted. Adjust flexible arms and position lens as needed (Fig. 10).

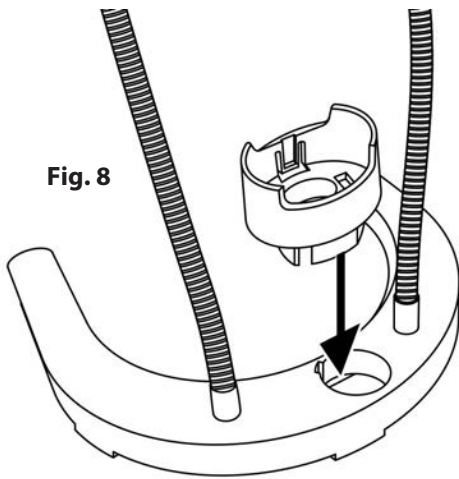


Fig. 8

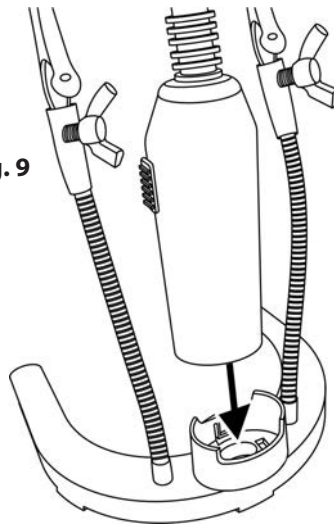


Fig. 9

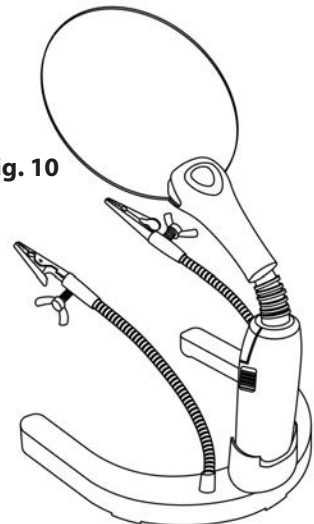


Fig. 10

To Adjust Alligator Clips

Loosen wing nuts to adjust position of alligator clips as desired (Fig. 11). Tighten wing nuts to lock into place.

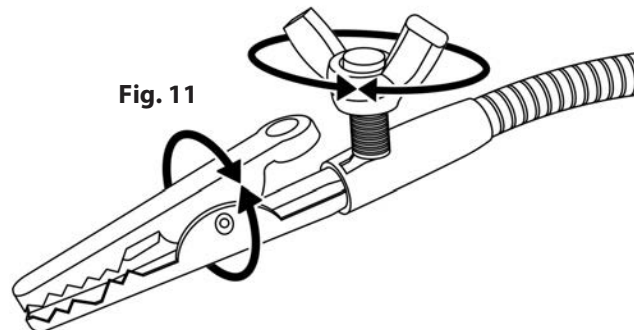


Fig. 11

Using Alligator Clips

Pinch to open each alligator clip (Fig. 12) and clamp onto viewing subject (Fig. 13). Position arms as needed to view subject under the lens (Fig. 14).

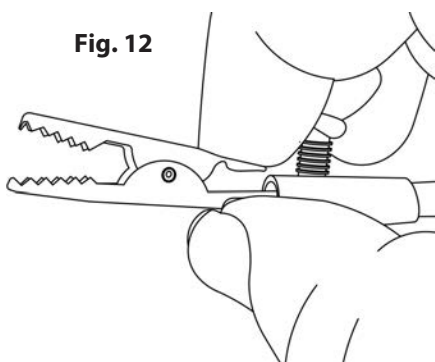


Fig. 12

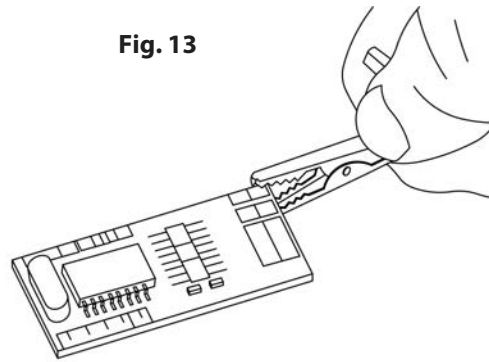


Fig. 13

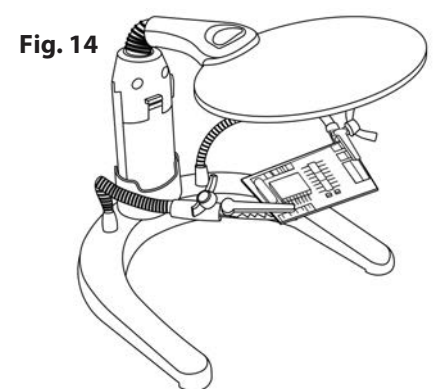


Fig. 14

To Activate LED Light

To turn light on, slide switch (located on side of magnifier handle) forward (Fig. 15).

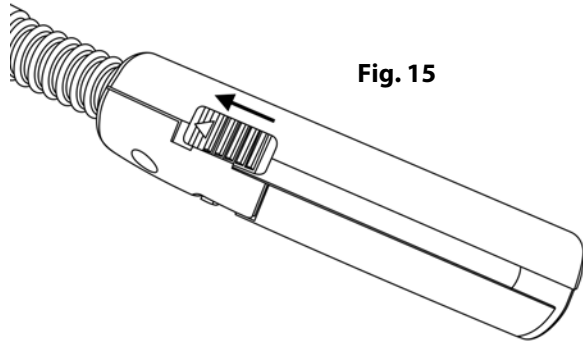


Fig. 15

To Remove Magnifier From Base

Lift lock tab outward and lift magnifier from base (Fig. 16) to use as hand-held magnifier.

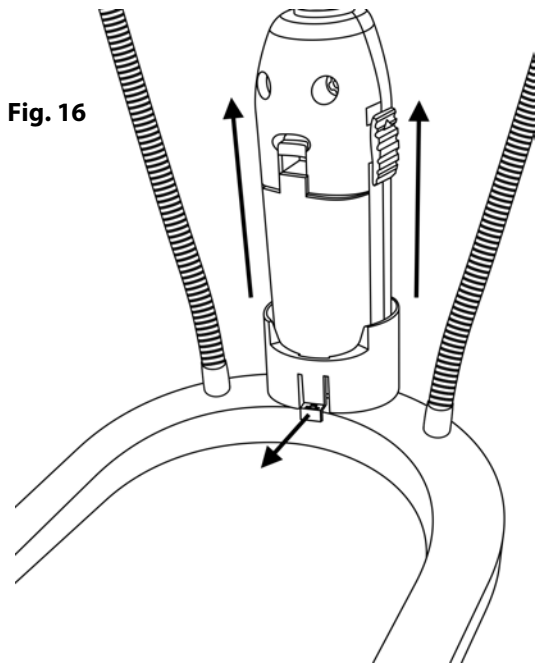


Fig. 16

Cleaning Your Magnifier

Clean lens with a soft, clean microfiber cloth by rubbing gently in a circular motion. Moisten the lens cloth with water if needed. Do not use harsh chemicals, solvents or abrasives as they may damage the lens.

Note: To avoid damaging the craft magnifier, do not touch lens or plastic body with hot soldering iron.

CAUTION - FIRE HAZARD:

Keep magnifier away from direct sunlight to prevent accidental fire.

Customer Service:

If you experience any difficulties, please contact us and we will be happy to help you.

In the U.S.A.

Phone: 1-631-963-5000
Email: info@carson.com

In the U.K.

Phone: +44 (0) 1938 557440
Email: uksupport@carson.com

In the E.U.

Phone: +44 (0) 1938 557440
Email: eusupport@carson.com

For warranty information, visit www.carson.com/warranty