

**CARSON®**

# MEASURELOUPE™

## 11.5x LED/UV LIGHTED LOUPE

### INSTRUCTIONS FOR USE

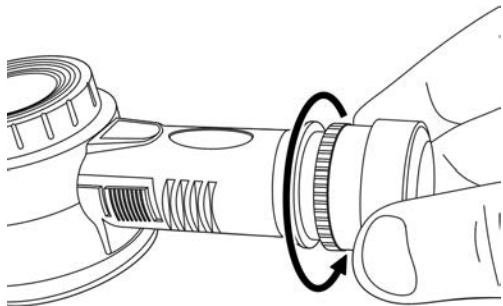


[www.carson.com/CP45guide](http://www.carson.com/CP45guide)

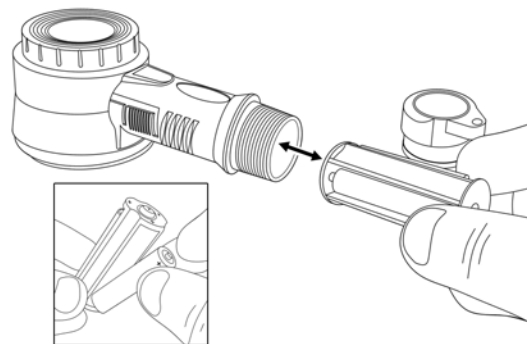
English / Français / Español / Deutsch / 日本語

#### Installing the Battery

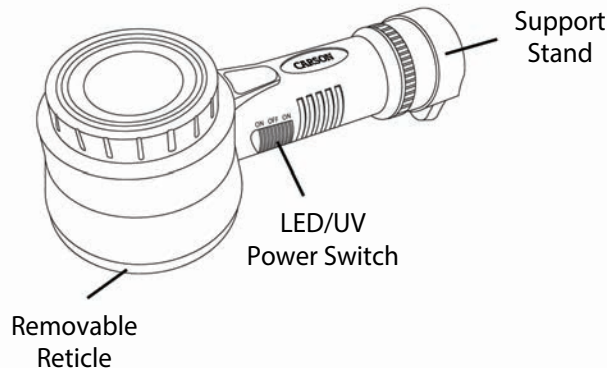
1. Turn cap at end of handle counter-clockwise and remove.



2. Remove battery housing from handle. Load three AAA batteries into housing following polarity markings. Insert loaded battery housing positive end first into handle and replace cap.



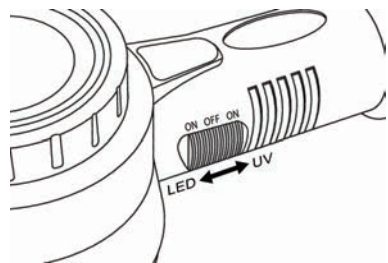
CP-45



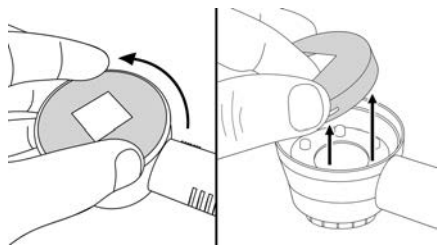
## Directions for Use:

**IMPORTANT:** For best results, place base of magnifier directly upon viewing surface.

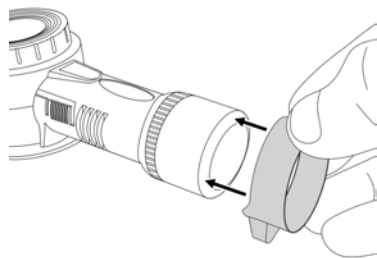
To illuminate your viewing subject, activate LED or UV light using switch located on side of handle.



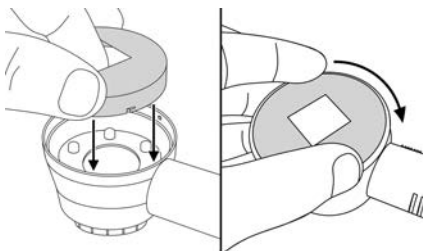
This item comes with a reticle marked in both inches and millimeters. To remove reticle, turn counterclockwise to unlock and lift up to remove.



For hands free use, make sure support adapter is attached to the end of the handle so that loupe base will be flush to viewing surface.



To attach reticle, line up slits in reticle with notches inside base of loupe. Press reticle into place and turn clockwise to lock.



**WARNING:** Do not mix old and new batteries, batteries with different brand names or different types within brands. Different attributes may cause the battery to leak fluid, overheat or explode. Do not expose to fire or excessive heat. Inspect all batteries for signs of corrosion or leakage. Use alkaline batteries only, rechargeable batteries not recommended. Insert all batteries in the direction indicated.

### CLEANING

Clean using microfiber lens cloth. Do not use any abrasives, chemical cleaners or solvent.

### WARNING

Do not look directly into the LED's and do not shine them into the eyes of others. As with other high intensity light sources, eye damage may occur. Do not look through the lens directly at the sun or other bright lights, as eye damage may occur.



**FIRE HAZARD:** KEEP MAGNIFIER AWAY FROM DIRECT SUNLIGHT TO PREVENT ACCIDENTAL FIRE.