

LumiLoupe™

10x Stand Magnifier with Snap-on Reticle

Congratulations on selecting your new LumiLoupe™!
In order to achieve optimum performance, please follow instructions for proper use and care.



PRODUCT SPECIFICATION

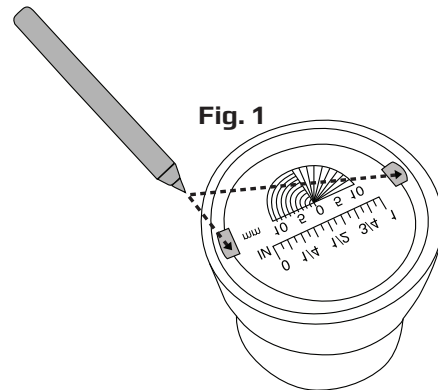
Magnification:	10x
Weight:	0.09 lbs
Dimensions:	2.1" x 2.0" x 1.9"

FOCUSING LOUPE

1. Place loupe over subject you are viewing.
2. Your eye(s) should be reasonably close to loupe.
3. It's best to start with loupe flat against a table. Depending on your vision, raise as needed to focus.

REMOVING RETICLE

With loupe upside down, locate the two holes on either side of the reticle as shown in Fig. 1. Using a tool such as a pen, insert into one of the holes to lift reticle out from compartment. To reattach, push back into place.



CLEANING

Clean using microfiber lens cloth. Do not use any abrasives, chemical cleaners, or solvents.

Customer Service:

If you experience any difficulties, please contact us and we will be happy to help you.



✉ info@carson.com



✉ uksupport@carson.com



✉ eusupport@carson.com

www.carson.com

Carson Optical 2070 5th
Avenue, Ronkonkoma, NY
11779 | Tel: 631-963-5000

For warranty information, visit www.carson.com/warranty