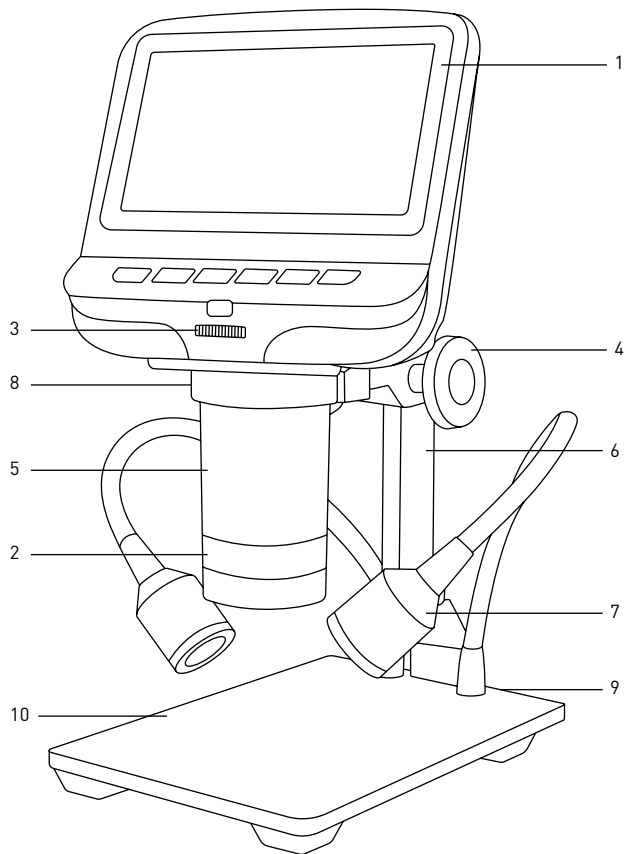


Levenhuk DTX RC Remote Controlled Microscopes

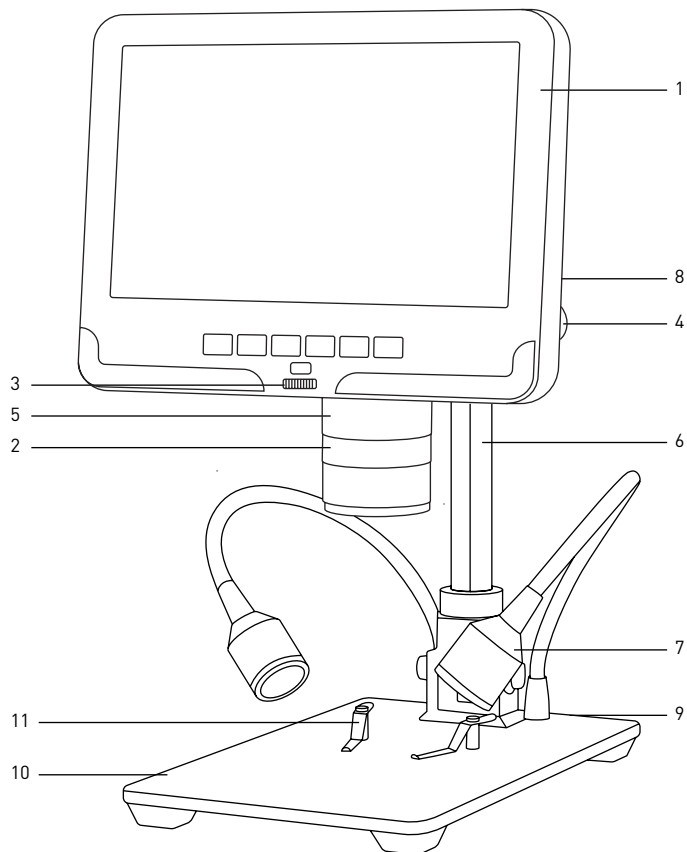


- EN** User Manual
- BG** Ръководство за потребителя
- CZ** Návod k použití
- DE** Bedienungsanleitung
- ES** Guía del usuario
- HU** Használati útmutató
- IT** Guida all'utilizzo
- PL** Instrukcja obsługi
- PT** Manual do usuário
- RU** Инструкция по эксплуатации

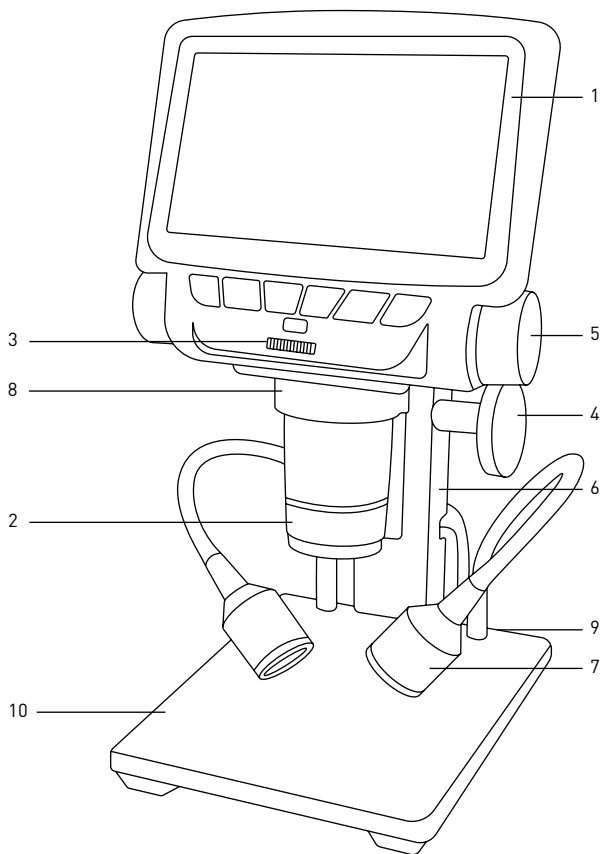
*Наслади се отблизо
Radost zaostřit
Zoom ran und hab Fun!
Amplíe y disfrute
Kellemes nagyítást!
Ingrandisci il divertimento
Radość przybliżania
Dê um zoom na sua emoção
Приближает с удовольствием*



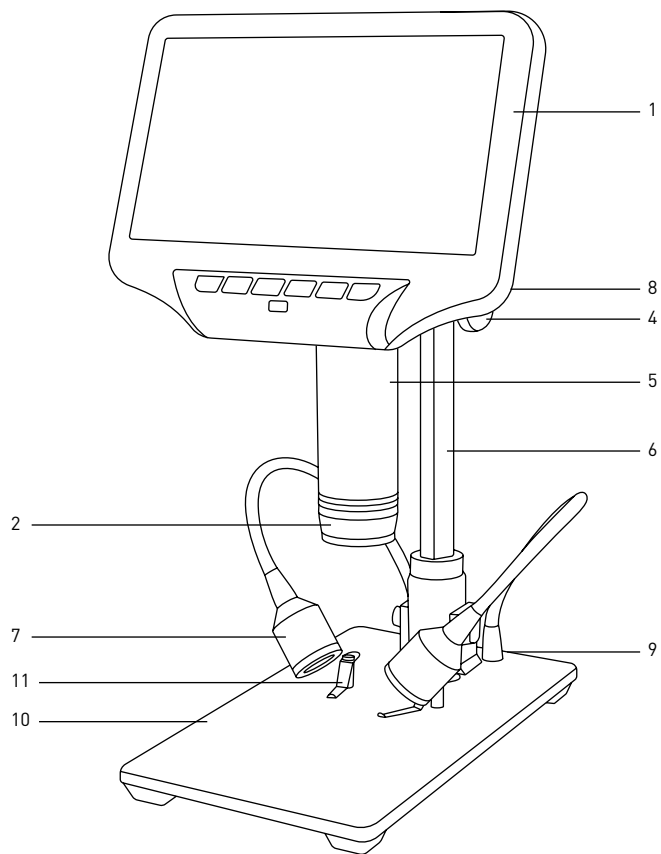
1a. Levenhuk DTX RC1



1b. Levenhuk DTX RC2



1c. Levenhuk DTX RC3



1d. Levenhuk DTX RC4

EN

1. LCD screen
2. Objective
3. Brightness adjustment knob (except RC4)
4. Coarse focusing knob
5. Optical zoom ring
6. Pole
7. Spotlights
8. LCD screen locking screw (not shown)
9. Power connector (not shown)
10. Stage
11. Specimen holders (RC2, RC4 only)

DE

1. LCD-Bildschirm
2. Objektiv
3. Helligkeitsregler (außer RC4)
4. Grobtrieb
5. Optischer-Zoom-Ring
6. Stange
7. Punktbeleuchtung
8. LCD-Bildschirmfixierschraube (nicht abgebildet)
9. Stromanschluss (nicht abgebildet)
10. Objektisch
11. Probenhalter (nur RC2, RC4)

BG

1. Течнокристален екран
2. Обектив
3. Бутон за регулиране на яркостта (с изключение на RC4)
4. Бутон за грубо фокусиране
5. Пръстен за промяна на оптичното увеличение
6. Прът на стойката
7. Прожектори
8. Заклучващ винт на течнокристален екран (не е показан)
9. Съединител за захранването (не е показан)
10. Предметна маса
11. Държачи за образец (само за RC2, RC4)

ES

1. Pantalla LCD
2. Objetivo
3. Mando de ajuste del brillo (excepto RC4)
4. Mando de enfoque aproximado
5. Anillo de zoom óptico
6. Varilla
7. Focos
8. Tornillo de bloqueo de la pantalla LCD (no se muestra)
9. Compartimento de la batería (no se muestra)
10. Platina
11. Porta muestras (solo RC2, RC4)

CZ

1. LCD obrazovka
2. Objektiv
3. Knoflík pro nastavení jasu (kromě RC4)
4. Makrošroub pro hrubé zaostření
5. Kroužek optického zoomu
6. Sloupek
7. Bodové reflektory
8. Pojistný šroub LCD obrazovka (není zobrazeno)
9. Konektor napájení (nezobrazeno)
10. Pracovní stolek
11. Držáky preparátů (pouze RC2, RC4)

HU

1. LCD-kijelző
2. Objektív
3. Fényerősség állítógomb (kivéve: RC4)
4. Durva-fókuszállító gomb
5. Optikaizoom-állító gyűrű
6. Rúd
7. Spotlámpák
8. LCD képernyő rögzítő-csavar (nem látható)
9. Hálózati csatlakozó (nincs feltüntetve)
10. Tárgyasztal
11. Mintatartók (csak RC2, RC4)

IT

1. Schermo LCD
2. Obiettivo
3. Manopola di regolazione della luminosità (tranne RC4)
4. Manopola di messa a fuoco grossolana
5. Anello dello zoom ottico
6. Colonna
7. Faretti
8. Vite di fissaggio dello schermo LCD (non visibile)
9. Presa di alimentazione (non visibile)
10. Tavolino
11. Portacampione (solo RC2, RC4)

RU

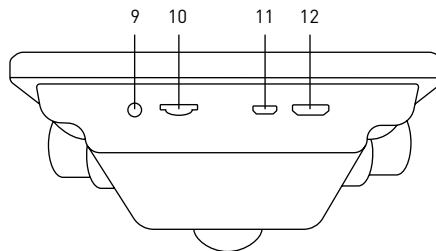
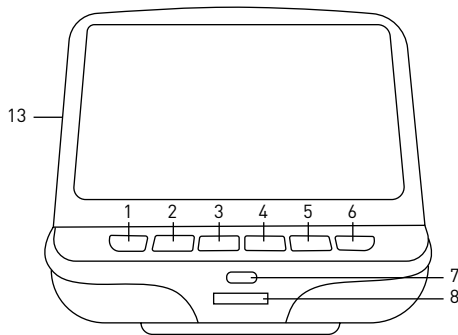
1. ЖК-экран
2. Объектив
3. Регулятор яркости подсветки (кроме RC4)
4. Ручка грубой фокусировки
5. Кольцо оптического увеличения
6. Штатив
7. Осветители
8. Фиксатор ЖК-экрана (не показан)
9. Гнездо сетевого адаптера (не показано)
10. Предметный столик
11. Держатели препарата (только RC2, RC4)

PL

1. Ekran LCD
2. Obiektyw
3. Pokrętko regulacji jasności (oprócz RC4)
4. Pokrętko zgrubnej regulacji ostrości
5. Pierścień powiększenia optycznego
6. Statyw
7. Oświetlenie punktowe
8. Śruba blokująca ekranu LCD (niepokazany)
9. Komora baterii (nie pokazano)
10. Stolik
11. Zaczepy do preparatów (tylko RC2, RC4)

PT

1. Ecrã LCD
2. Objetiva
3. Botão de ajuste do brilho (exceto RC4)
4. Botão de focagem grosseira
5. Anel de zoom ótico
6. Polo
7. Destaques
8. Parafuso de bloqueio do ecrã LCD (não apresentado)
9. Conector de alimentação (não apresentado)
10. Platina
11. Suportes de espécimes (apenas RC2, RC4)



2.

BG

1. Вкл./изкл. на захранването
2. Меню
3. Нагоре
4. Надолу
5. ОК
6. Заснемане
7. Инфрачервен сензор
8. Колело за регулиране на яркостта (с изключение на RC4)
9. Изход за AV (само за RC3)
10. Слот за SD карта
11. Мини USB: изход към компютър
12. Изход HDMI (само за RC3, RC4)
13. Нулиране (не е показан)

CZ

1. Vypínač napájení (zap/vyp)
2. Nabídka
3. Nahoru
4. Dolů
5. OK
6. Pořídít snímek
7. Infračervený snímač
8. Regulátor nastavení jasu (kromě RC4)
9. Výstup AV (pouze RC3)
10. Slot pro SD kartu
11. MiniUSB: výstup do PC
12. HDMI výstup (pouze RC3, RC4)
13. Resetovat (není zobrazeno)

EN

1. Power on/off
2. Menu
3. Up
4. Down
5. OK
6. Capture
7. Infrared sensor
8. Brightness adjustment wheel (except RC4)
9. AVout (RC3 only)
10. SDslot
11. MiniUSB: output to PC
12. HDMI out (RC3, RC4 only)
13. Reset (not shown)

DE

1. Ein-/Ausschalter
2. Menü
3. Aufwärts
4. Abwärts
5. OK
6. Aufnahme
7. Infrarotsensor
8. Helligkeitsregler (außer RC4)
9. AV-Ausgang (nur RC3)
10. SD-Kartensteckplatz
11. MiniUSB: PC-Anschluss
12. HDMI-Ausgang (nur RC3, RC4)
13. Zurücksetzen (nicht abgebildet)

ES

1. Encendido/apagado
2. Menú
3. Arriba
4. Abajo
5. OK
6. Captura
7. Sensor infrarrojo
8. Rueda de ajuste de brillo (excepto RC4)
9. Salida AV (solo RC3)
10. Ranura SD
11. MiniUSB: salida a PC
12. Salida HDMI (solo RC3, RC4)
13. Restablecer (no se muestra)

PL

1. Wt./wyt. zasilania
2. Menu
3. W górę
4. W dół
5. OK
6. Rejestrowanie
7. Czujnik podczerwieni
8. Pokrętko regulacji jasności (oprócz RC4)
9. Wyjście AV (tylko RC3)
10. Gniazdo karty SD
11. Mini USB: wyjście do komputera
12. Gniazdo wyjściowe HDMI (tylko RC3, RC4)
13. Resetuj (nie pokazany)

HU

1. Ki-/bekapcsoló gomb
2. Menü
3. Fel
4. Le
5. OK
6. Felvétel
7. Infravörös érzékelő
8. Fényerő szabályzókerék (kivéve: RC4)
9. AV kimenet (csak RC3)
10. SD-hely
11. MiniUSB: kimenet számítógéphez
12. HDMI kimenet (csak RC3, RC4)
13. Visszaállítás (nincs feltüntetve)

PT

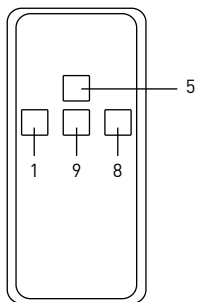
1. Ligar/destigar
2. Menu
3. Para cima
4. Para baixo
5. OK
6. Capturar
7. Sensor infravermelho
8. Roda de ajuste do brilho (exceto RC4)
9. Saída AV (apenas RC3)
10. Ranhura SD
11. MiniUSB: saída para PC
12. Saída de HDMI (apenas RC3, RC4)
13. Repor (não apresentado)

IT

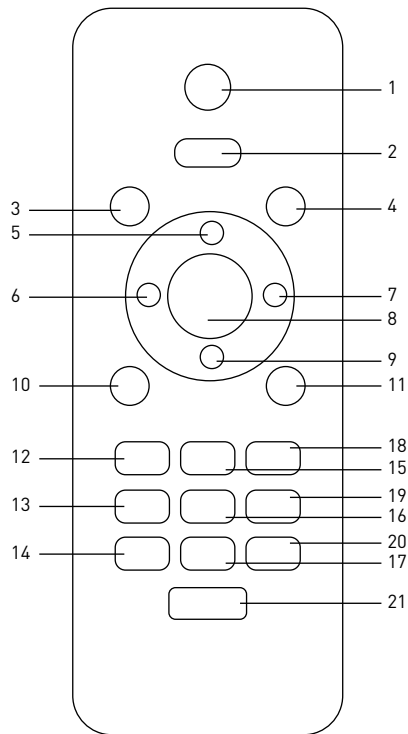
1. Interruttore on/off
2. Menù
3. Su
4. Giù
5. OK
6. Cattura
7. Sensore a infrarossi
8. Rotella regolazione luminosità (tranne RC4)
9. Uscita AV (solo RC3)
10. Slot SD
11. MiniUSB: uscita PC
12. Uscita HDMI (solo RC3, RC4)
13. Reset (non visibile)

RU

1. Кнопка вкл./выкл. питания
2. Кнопка «Меню»
3. Кнопка «Вверх»
4. Кнопка «Вниз»
5. Кнопка «OK»
6. Кнопка «Съемка»
7. Инфракрасный датчик
8. Колесо регулировки яркости (кроме RC4)
9. Разъем AV (только RC3)
10. Разъем карты SD
11. Разъем miniUSB
12. HDMI-разъем (кроме RC3, RC4)
13. Кнопка «Перезагрузка» (не показана)



3a. Levenhuk DTX RC1



3b. Levenhuk DTX RC2, RC3, RC4

EN

1. Capture
2. Menu
3. Frozen
4. Mode
5. Zoom up
6. Brightness down
7. Brightness up
8. OK
9. Zoom down
10. 50/60Hz
11. Cross line
12. Sharpness down
13. Contrast down
14. Inverse
15. Sharpness up
16. Contrast up
17. Black&white
18. Lock/unlock file
19. NTL/PAL
20. Default set
21. Image rotate

BG

1. Заснемане
2. Меню
3. Застиване
4. Режим
5. Увеличаване
6. Намаляване на яркостта
7. Увеличаване на яркостта
8. ОК
9. Намаляване на увеличението
10. 50/60 Hz
11. Напречна линия
12. Намаляване на отчетливостта
13. Намаляване на контраста
14. Обръщане
15. Увеличаване на отчетливостта
16. Увеличаване на контраста
17. Чернобяло
18. Заклучване/отключване на файл
19. NTL/PAL
20. Настройка по подразбиране
21. Завъртане на изображение

CZ

1. Pořídít snímek
2. Nabídka
3. Nehybné
4. Režim
5. Zvětšit zoom
6. Snížit jas
7. Zvýšit jas
8. OK
9. Zmenšit zoom
10. 50/60 Hz
11. Překročit čáru
12. Snížit ostrost
13. Snížit kontrast
14. Negativ
15. Zvýšit ostrost
16. Zvýšit kontrast
17. Černobilá
18. Zamknout/odemknout soubor
19. NTL/PAL
20. Výchozí sada
21. Otočit snímek

DE

1. Aufnahme
2. Menü
3. Eingefroren
4. Modus
5. Zoom +
6. Helligkeit –
7. Helligkeit +
8. OK
9. Zoom –
10. 50/60 Hz
11. Kreuzlinie
12. Schärfe –
13. Kontrast –
14. Invers
15. Schärfe +
16. Kontrast +
17. Schwarzweiß
18. Datei sperren/entsperren
19. NTL/PAL
20. Standardset
21. Bilddrehung

ES

1. Captura
2. Menú
3. Inmovilizado
4. Modo
5. Aumentar ampliación
6. Reducir brillo
7. Aumentar brillo
8. OK
9. Reducir ampliación
10. 50/60Hz
11. Reticula en cruz
12. Reducir nitidez
13. Reducir contraste
14. Inverso
15. Aumentar nitidez
16. Aumentar contraste
17. Blanco y negro
18. Bloquear/desbloquear archivo
19. NTL/PAL
20. Kit predeterminado
21. Rotación de imagen

HU

1. Felvétel
2. Menü
3. Kímerevített
4. Üzem mód
5. Közelítés
6. Fényerő csökkentése
7. Fényerő növelése
8. OK
9. Távoltítás
10. 50/60 Hz
11. Keresztvonal
12. Élesség csökkentése
13. Kontraszt csökkentése
14. Inverz
15. Élesség növelése
16. Kontraszt növelése
17. Fekete-fehér
18. Fájl zárolása/feloldása
19. NTL/PAL
20. Alapértelmezett beállítás
21. Kép elforgatása

IT

1. Cattura
2. Menù
3. Bloccato
4. Modalità
5. Aumenta zoom
6. Diminuisci luminosità
7. Aumenta luminosità
8. OK
9. Diminuisci zoom
10. 50/60 Hz
11. Mirino
12. Diminuisci nitidezza
13. Diminuisci contrasto
14. Inverso
15. Aumenta nitidezza
16. Aumenta contrasto
17. Bianco e nero
18. Blocca/sblocca file
19. NTL/PAL
20. Imposta predefinito
21. Ruota immagine

PL

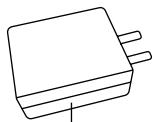
1. Rejestrowanie
2. Menu
3. Tryb wstrzymania
4. Tryb
5. Powiększenie
6. Zmniejszenie jasności
7. Zwiększenie jasności
8. OK
9. Oddalenie
10. 50/60 Hz
11. Linia z podziałką
12. Zmniejszenie ostrości
13. Zmniejszenie kontrastu
14. Odwrócenie
15. Zwiększenie ostrości
16. Zwiększenie kontrastu
17. Czarno-biały
18. Zablokowanie/odblokowanie pliku
19. NTL/PAL
20. Ustawienia domyślne
21. Obrócenie obrazu

PT

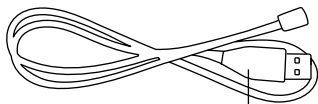
1. Capturar
2. Menu
3. Bloqueado
4. Modo
5. Aumentar zoom
6. Diminuir luminosidade
7. Aumentar luminosidade
8. OK
9. Diminuir zoom
10. 50/60 Hz
11. Linha transversal
12. Diminuir nitidez
13. Diminuir contraste
14. Inverso
15. Aumentar nitidez
16. Aumentar contraste
17. Preto e branco
18. Bloquear/desbloquear ficheiro
19. NTL/PAL
20. Predefinição
21. Rotação de imagem

RU

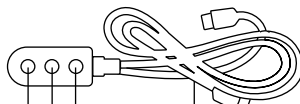
1. Кнопка «Съемка»
2. Кнопка «Меню»
3. Кнопка «Стоп-кадр»
4. Кнопка «Режим»
5. Кнопка «Увеличение»
6. Кнопка уменьшения яркости
7. Кнопка увеличения яркости
8. Кнопка «OK»
9. Кнопка «Уменьшение»
10. Кнопка переключения частоты между 50 и 60 Гц
11. Кнопка отображения сетки
12. Кнопка уменьшения резкости
13. Кнопка уменьшения контраста
14. Кнопка фотоэффекта «Негатив»
15. Кнопка увеличения резкости
16. Кнопка увеличения контраста
17. Кнопка фотоэффекта «Черное/белое»
18. Кнопка блокировки/разблокировки файла
19. Кнопка переключения форматов NTL/PAL
20. Кнопка «Заводские настройки»
21. Кнопка «Поворот изображения»



1



2



4

5

6

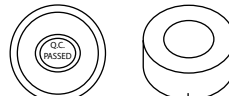
3



7



8



9

4.

EN

1. DC adapter
2. USB cable
3. Switch cable
4. On/Off
5. Brightness up
6. Brightness down
7. 3M sticker (RC1, RC2 only)
8. UV filter
9. Lens covers (RC1, RC2 only)

BG

1. DC адаптер
2. USB кабел
3. Кабел за включване
4. Вкл./Изкл.
5. Увеличаване на яркостта
6. Намаляване на яркостта
7. 3M стикер (само за RC1, RC2)
8. UV филтър
9. Капаци на обектива (само за RC1, RC2)

CZ

1. Stejnoseměrný adaptér
2. Kabel USB
3. Vyměnit kabel
4. Zap/Vyp
5. Zvýšit jas
6. Snížit jas
7. Nálepka 3M (pouze RC1, RC2)
8. UV filtr
9. Ochranné kryty zorníku (pouze RC1, RC2)

DE

1. Netzteil
2. USB-Kabel
3. Kabelschalter
4. Ein/Aus
5. Helligkeit +
6. Helligkeit -
7. 3M-Klebestreifen (nur RC1, RC2)
8. UV-Filter
9. Objektivabdeckung (nur RC1, RC2)

ES

1. Adaptador de CC
2. Cable USB
3. Cable de conmutación
4. Encendido/Apagado
5. Aumentar brillo
6. Reducir brillo
7. Cinta adhesiva 3M (solo RC1, RC2)
8. Filtro UV
9. Cubiertas de lentes (solo RC1, RC2)

HU

1. Hálózati adapter
2. USB-kábel
3. Kapcsolókábel
4. Főkapcsoló
5. Fényerő növelése
6. Fényerő csökkentése
7. 3M matrica (csak RC1, RC2)
8. UV-szűrő
9. Lencsesapkák (csak RC1, RC2)

IT

1. Adattatore DC
2. Cavo USB
3. Cavo interruttore
4. On/Off
5. Aumenta luminosità
6. Diminuisci luminosità
7. Adesivo 3M (solo RC1, RC2)
8. Filtro UV
9. Coperture delle lenti (solo RC1, RC2)

PL

1. Zasilacz
2. Przewód USB
3. Przewód przetaczający
4. Wt./Wyt.
5. Zwiększenie jasności
6. Zmniejszenie jasności
7. Naklejka 3M (tylko RC1, RC2)
8. Filtr ultrafioletowy
9. Osłona soczewki (tylko RC1, RC2)

PT

1. Adaptador de CC
2. Cabo USB
3. Cabo do interruptor
4. Ligado/Desligado
5. Aumentar luminosidade
6. Diminuir luminosidade
7. Autocolante 3M (apenas RC1, RC2)
8. Filtro UV
9. Tampas da lente (apenas RC1, RC2)

RU

1. Адаптер постоянного тока
2. USB-кабель
3. Пульт управления яркостью подсветки с кабелем подключения и питания
4. Кнопка вкл./выкл. подсветки
5. Кнопка увеличения яркости подсветки
6. Кнопка уменьшения яркости подсветки
7. Стикер 3M (только RC1, RC2)
8. UV-фильтр
9. Крышки объектива (только RC1, RC2)

Levenhuk DTX RC Remote Controlled Microscopes

EN

Please refer to fig. 1 (device), 2 (LCD screen), 3 (control panel), and 4 (accessories). Find your microscope model and view all of the details of the device.

Getting started

- Unpack the microscope carefully and place it on a flat surface.
- Use the supplied hardware to secure the pole and specimen holders to the base using the supplied hardware.
- Install the LCD screen on the pole and tighten the locking screw.
- Plug the power cable into the corresponding connectors on the base and on the LCD screen, and then the backlight and screen will turn on automatically.
- Press and hold the “Power on/off” button for 2 seconds on the screen to turn the screen on and off.

A microSD card (purchased separately) is required to save captured images and recorded videos. Turn the microscope off and insert the microSD card into the corresponding slot on the microscope body until it locks in place with a click. Do not apply excessive force when inserting the microSD card. Try rotating the card, if it does not lock in place with ease.

If the LCD screen freezes, look for the “Reset” button on the back of the LCD screen. Use a narrow object, such as a straightened paperclip, to press the button. This will reset all of the settings to the factory defaults and restart the LCD screen. Saved photos or videos will not be deleted.

UV filter

Use a 3M sticker to stick the UV filter and lens cover together. The threaded side of the filter must be glued to the lens cover.

Caution: Please refer to the specifications table for the correct mains voltage and never attempt to plug a 110V device into 220V outlet and vice versa without using a converter. Remember that mains voltage in the U.S. and Canada is 110V and 220–240V in most European countries.

Application menu



Video mode



Video recording



Photo mode



Capture an image



MicroSD status icon



Still image mode



Review mode

Digital magnification

During observations, press the “Up” button to enlarge the image and the “Down” button to reduce the image.

Capturing an image

1. Turn the microscope on and place a specimen on the stage.
2. Set the objective to the desired height using the coarse focusing knob.
3. Adjust the illumination brightness, so that the specimen is evenly lit.
4. Adjust the magnification and sharpness of the image by rotating the coarse focus knob and optical zoom ring.
5. To take a photo, press the “Capture” button.
6. In “Freeze” mode, briefly press the “OK” button to take a picture (except RC1).

Recording a video

1. Press the “Video” button to switch to video mode. The icon in the upper left corner of the screen will change in confirmation.
2. Press the “OK” button to start recording. **Note:** do not hold down the “OK” button; instead, briefly press and release it.
3. Press the “OK” button again to stop recording.
4. Press the “Capture” button to take a picture while the microscope is recording a video. If you take a photo this way, the image resolution may not be as high as the video resolution – the image quality will be lower.

View photos and videos

1. Insert the microSD card into the SD slot.
2. Press the "Video" button twice to turn on the viewing mode.
3. Press the "Right" and "Left" buttons to view the pictures and videos. Press the "Capture" button to start playing the video.

Use with a computer and TV

View on a computer (RC1, RC3 only)

AMCAP, ViewPlayCap, WebCam Monitor, and Microscope Measure programs can be downloaded from the official Levenhuk website.

Levenhuk DTX RC1

Windows 7/8/10, Mac OS:

1. Install the **AMCAP** (Windows 7/8), **ViewPlayCap** (Windows 10) and **WebCam Monitor** (Mac OS) software on the computer. The **PC camera** icon will appear on your desktop after the installation of the software is complete.
2. Use the "Power on/off" button to turn off the LCD screen.
3. Use the USB cable for connecting the LCD screen to the computer.
4. Click the **PC camera** icon on your computer's desktop to start viewing.

Levenhuk DTX RC3

Windows XP SP3/7/8/10:

1. Install the **Microscope Measure** software on the computer. The **Microscope Measure** icon will appear on your desktop after the installation of the software is complete.
2. Use the "Power on/off" button to turn off the LCD screen.
3. Use the USB cable for connecting the LCD screen to the computer.
4. Click the **Microscope Measure** icon on your computer's desktop to start viewing.

Connecting to a TV/monitor with an AV connector (RC3 only)

1. Connect the microscope to the mains.
2. Use an AV cable (not included) for connecting the LCD screen to the TV/monitor. The image on the LCD screen turns off and the display on the connected screen starts.
3. Now, you can start viewing on the screen. If a microSD card is inserted into the microscope, you can take and save photos. Video recording function is not available in this display mode.

Connecting to a TV/monitor with an HDMI connector (RC3, RC4 only)

1. Connect the microscope to the mains.
2. Use an HDMI cable (included) for connecting the LCD screen to the TV/monitor. The image on the LCD screen turns off and the display on the connected screen starts.

3. Now, you can start viewing on the screen. If a microSD card is inserted into the microscope, you can take and save photos. Video recording function is not available in this display mode.

Setup

Press the "Menu" button to go to the settings menu of the LCD screen. Use the control buttons to select the required parameters. Press the "Menu" button again to save the selected parameters. Do not turn off the power of the microscope while saving the settings.

Specifications

Product ID	76821	76822	76823	76824
Model	Levenhuk DTX RC1	Levenhuk DTX RC2	Levenhuk DTX RC3	Levenhuk DTX RC4
Digital magnification	3–220x	3–200x	5–260x	5–270x
Optical magnification	3–55x	3–50x	5–15x	5–40x
Optics material	optical glass			
Body	metal			
Stage	100x160mm	120x200mm, with specimen holders	120x170mm	120x200mm, with specimen holders
Focus	coarse, 23mm	coarse, 150mm	coarse, 100mm	coarse, 77mm
Illumination	upper LED (2 illuminators on flexible arms and illumination inside the objective)		upper LED (2 illuminators on flexible arms)	
UV filter	+			
Rotatable color LCD screen	4.3"	7"	5"	7"
Megapixels (sensor/image)	1/12	2/12	3/12	4/24
Max. resolution (image/video)	4032x3024px/1920x1080px		4032x3024px/1920x1080px	5600x4200px/3840x2160px
Image/video format	*.jpg/*.avi		*.jpg/*.avi, *.mov	*.jpg/*.mp4
Sensor	1/4	1/2.9	1/3	
Pixel size	3.0µm	2.8µm	2.2µm	2.0µm
Sensitivity	highly sensitive sensor	3800mV/Lux-s	2000mV/Lux-s	1900mV/Lux-s
Spectral range	410–1100nm			
Manual settings	white balance, exposure control			
Output (connectors)	microSD, miniUSB	microSD, miniUSB	microSD, miniUSB, HDMI, AV	microSD, miniUSB, HDMI
Operating system	Windows 7/8/10, Mac OS	–	Windows XP SP3/7/8/10	–
Power supply (microscope)	110–220V; 5V, 2A via USB cable			
Power supply (IR remote)	1pc CR2025 batteries (included)	2pcs AAA batteries (not included)		
Operating temperature range	–20...+70 °C (–4...+158 °F)			

Levenhuk reserves the right to modify or discontinue any product without prior notice.

Care and maintenance

- **Never, under any circumstances, look directly at the Sun, another bright source of light or at a laser through this device, as this may cause PERMANENT RETINAL DAMAGE and may lead to BLINDNESS.**
- Take necessary precautions when using the device with children or others who have not read or who do not fully understand these instructions.
- After unpacking your microscope and before using it for the first time check for integrity and durability of every component and connection.
- Do not try to disassemble the device on your own for any reason. For repairs and cleaning of any kind, please contact your local specialized service center.
- Protect the device from sudden impact and excessive mechanical force. Do not apply excessive pressure when adjusting focus. Do not overtighten the locking screws.
- Do not touch the optical surfaces with your fingers. To clean the device exterior, use only special cleaning wipes and special optics cleaning tools from Levenhuk. Do not use any corrosive or acetone-based fluids to clean the optics.
- Abrasive particles, such as sand, should not be wiped off lenses, but instead blown off or brushed away with a soft brush.
- Do not use the device for lengthy periods of time, or leave it unattended in direct sunlight. Keep the device away from water and high humidity.
- Be careful during your observations, always replace the dust cover after you are finished with observations to protect the device from dust and stains.
- If you are not using your microscope for extended periods of time, store the objective lenses and eyepieces separately from the microscope.
- Store the device in a dry, cool place away from hazardous acids and other chemicals, away from heaters, open fire and other sources of high temperatures.
- When using the microscope, try not to use it near flammable materials or substances (benzene, paper, cardboard, plastic, etc.), as the base may heat up during use, and might become a fire hazard.
- Always unplug the microscope from a power source before opening the base or changing the illumination lamp. Regardless of the lamp type (halogen or incandescent), give it some time to cool down before trying to change it, and always change it to a lamp of the same type.
- Always use the power supply with the proper voltage, i.e. indicated in the specifications of your new microscope. Plugging the instrument into a different power outlet may damage the electric circuitry of the microscope, burn out the lamp, or even cause a short circuit.
- **Seek medical advice immediately if a small part or a battery is swallowed.**

Battery safety instructions

- Always purchase the correct size and grade of battery most suitable for the intended use.
- Always replace the whole set of batteries at one time; taking care not to mix old and new ones, or batteries of different types.
- Clean the battery contacts and also those of the device prior to battery installation.
- Make sure the batteries are installed correctly with regard to polarity (+ and –).
- Remove batteries from equipment that is not to be used for an extended period of time.
- Remove used batteries promptly.
- Never attempt to recharge primary batteries as this may cause leakage, fire, or explosion.
- Never short-circuit batteries as this may lead to high temperatures, leakage, or explosion.
- Never heat batteries in order to revive them.
- Do not disassemble batteries.
- Remember to switch off devices after use.
- Keep batteries out of the reach of children, to avoid risk of ingestion, suffocation, or poisoning.
- Utilize used batteries as prescribed by your country laws.

Levenhuk International Lifetime Warranty

All Levenhuk telescopes, microscopes, binoculars and other optical products, except for accessories, carry a **lifetime warranty** against defects in materials and workmanship. Lifetime warranty is a guarantee on the lifetime of the product on the market. All Levenhuk accessories are warranted to be free of defects in materials and workmanship for **six months** from date of retail purchase. Levenhuk will repair or replace such product or part thereof which, upon inspection by Levenhuk, is found to be defective in materials or workmanship. As a condition to the obligation of Levenhuk to repair or replace such product, the product must be returned to Levenhuk together with proof of purchase satisfactory to Levenhuk. This warranty does not cover consumable parts, such as bulbs (electrical, LED, halogen, energy-saving and other types of lamps), batteries (rechargeable and non-rechargeable), electrical consumables etc. For further details, please visit our web site: www.levenhuk.com/warranty

If warranty problems arise, or if you need assistance in using your product, contact the local Levenhuk branch.

Микроскопи с дистанционно управление Levenhuk DTX RC

BG

Вижте фиг. 1 (устройство), 2 (течнокристален екран), 3 (контролен панел), и 4 (принадлежности). Намерете Вашия модел микроскоп и прегледайте всички данни на устройството.

Подготовка

- Внимателно разопаковайте микроскопа и го поставете на равна повърхност.
- Използвайте предоставените елементи, за да закрепите колоната и държачите за образци към основата.
- Поставете течнокристален екран към колоната и стегнете заключващия винт.
- Включете захранващия кабел в съответните конектори на основата и на течнокристален екран и фоновото осветление и екранът ще се включат автоматично.
- Натиснете и задръжте бутона "Power on/off" (Вкл./изкл. на захранването) на екрана за 2 секунди, за да включите или изключите екрана.

За да запишете заснетите изображения и видео, е необходима microSD карта (закупува се отделно). Изключете микроскопа и вкарайте microSD картата в съответния слот върху корпуса на микроскопа, докато щракне на мястото си. Не прилагайте прекомерна сила при вкарването на microSD картата. Опитайте да завъртите картата, ако не щраква лесно на мястото си.

Ако LCD екранът замръзне, потърсете бутона "Reset" (Нулиране) на гърба на LCD екрана. Използвайте тънък предмет, например изправен клалер, за да натиснете бутона. Това ще нулира всички настройки до фабричните настройки и ще рестартира LCD екрана. Запазените снимки или видеоклипове няма да бъдат изтрети.

Внимание: моля, вижте в таблицата с техническите спецификации правилното мрежово напрежение и никога не се опитвайте да включите устройство за 110 V в захранващо гнездо за 220 V изход и обратно, без да използвате преобразувател. Не забравяйте, че мрежовото напрежение в САЩ и Канада е 110 V и 220–240 V в повечето европейски страни.

UV филтър

Използвайте 3М стикер, за да залепите един към друг UV филтъра и напака на обектива. Страната с резба на филтъра трябва да бъде залепена към напака на обектива.

Знаци основного интерфейса



Режим за видеоклипове



00:01 Видеозапис



Режим за снимки



Заснемане на изображение



Иконка за състоянието на microSD



Режим на неподвижно изображение



Режим на преглед

Цифрово увеличение

По време на наблюденията натиснете бутона "Up" (Нагоре), за да увеличите изображението, и бутона "Down" (Надолу), за да намалите изображението.

Заснемане на изображение

1. Включете микроскопа и поставете образец на предметната маса.
2. Поставете обектива на желаната височина, като използвате бутона за грубо фокусиране.
3. Регулирайте яркостта на осветлението, така че образецът да е равномерно осветен.
4. Регулирайте увеличението и остротата на изображението, като завъртите бутона за грубо фокусиране и пръстена за оптично увеличение.
5. За да направите снимка, натиснете бутона "Capture" (Заснемане).
6. В режим "Freeze" (Застиване) натиснете за кратко бутона "OK", за да направите снимка (с изключение на RC1).

Записване на видео

1. Натиснете бутона за "Video" (Видео), за да превключите на режим на видео. Иконата в горния ляв ъгъл на екрана ще се промени за потвърждение.
2. Натиснете бутона за "OK", за да започнете записа. **Забележка:** не задръжайте

- бутона "OK" натиснат; натиснете го за кратко и го отпуснете.
3. Натиснете бутона "OK" отново, за да спрете записването.
 4. Натиснете бутона "Capture" (Заснемане), за да направите снимка, докато микроскопът записва видео. Ако направите снимка по този начин, резолюцията на изображението може да не е толкова висока, колкото резолюцията на видеото – качеството на изображението ще бъде по-ниско.

Преглед на снимки и видеоматериали

1. Поставете microSD картата в SD слота.
2. Натиснете бутона "Video" (Видеозапис) два пъти, за да включите режима за преглед.
3. Натиснете бутоните "Right" (Наляво) и "Left" (Надясно), за да прегледате снимките и видеоматериалите. За да стартирате възпроизвеждане на видеоматериала, натиснете бутона "Capture" (Заснемане).

Запамятуване на снимки и видеоматериали на компютър

1. Поставете microSD картата в SD слота.
2. Използвайте USB кабела и свържете микроскопа към компютъра. Сега можете да прехвърлите снимките и видеоматериалите на компютъра.

Употреба с компютър и телевизор

Преглед на компютър (само за RC1, RC3)

Програмите AMCAP, ViewPlayCap, WebCam Monitor и Microscope Measure могат да се изтеглят от официалния уебсайт на Levenhuk.

Levenhuk DTX RC1

Windows 7/8/10, Mac OS:

1. Инсталирайте софтуера AMCAP (Windows 7/8), ViewPlayCap (Windows 10), WebCam Monitor (Mac OS) на компютъра. След завършване на инсталацията на десктопа ще се появи иконата PC camera.
2. С помощта на бутона за включване/изключване на захранването изключете течнокристалния екран.
3. Използвайте USB кабела и свържете течнокристалния екран към компютъра.
4. Щракнете върху иконата PC camera на десктопа на Вашия компютър, за да започнете да разглеждате.

Levenhuk DTX RC3

Windows XP SP3/7/8/10:

1. Инсталирайте софтуера Microscope Measure на компютъра. След завършване на инсталацията на десктопа ще се появи иконата Microscope Measure.
2. С помощта на бутона за включване/изключване на захранването изключете течнокристалния екран.

3. Използвайте USB кабела и свържете течнокристалния екран към компютъра.
4. Щракнете върху иконата Microscope Measure на десктопа на Вашия компютър, за да започнете да разглеждате.

Свързване към телевизор/монитор с AV конектор (само за RC3)

1. Свържете микроскопа към мрежата.
2. Използвайте AV кабел (не е включен) и свържете течнокристалния екран към телевизора/монитора. Изображението на LCD екрана се изключва и дисплеят на свързания екран стартира.
3. Сега можете да започнете да прегледате на екрана. Ако в микроскопа е поставена микро SD карта, можете да правите и запамятувате снимки. Функцията за запис на видеоклипове не е налична в този режим на дисплей.

Свързване към телевизор/монитор с HDMI конектор (само за RC3, RC4)

1. Свържете микроскопа към мрежата.
2. Използвайте HDMI кабел (включен) и свържете течнокристалния екран към телевизора/монитора. Изображението на LCD екрана се изключва и дисплеят на свързания екран стартира.
3. Сега можете да започнете да прегледате на екрана. Ако в микроскопа е поставена микро SD карта, можете да правите и запамятувате снимки. Функцията за запис на видеоклипове не е налична в този режим на дисплей.

Настройка

Натиснете бутона "Menu" (Меню), за да отидете в менюто за настройки на течнокристалния екран. Използвайте бутоните за управление, за да изберете необходимите параметри. Натиснете отново бутона "Menu" (Меню), за да запазите избраните параметри. Не изключвайте захранването на микроскопа, докато запамятувате настройките.

Спецификации

ИД на продукт	76821	76822	76823	76824
Модел	Levenhuk DTX RC1	Levenhuk DTX RC2	Levenhuk DTX RC3	Levenhuk DTX RC4
Цифрово увеличение	3–220x	3–200x	5–260x	5–270x
Оптично увеличение	3–55x	3–50x	5–15x	5–40x
Материал на оптиката	оптично стъкло			
Корпус	метал			
Предметна маса	100x160 mm	120x200 mm, с държачи за образец	120x170 mm	120x200 mm, с държачи за образец
Система за фокусиране	грубо, 23 mm	грубо, 150 mm	грубо, 100 mm	грубо, 77 mm
Осветление	горно (светодиодно) (2 осветителни тела на гъвкави стойки и осветление вътре в обектива)		горно (светодиодно) (2 осветителни тела на гъвкави стойки)	
UV филтър	+			
Въртящ се цветен течнокристален екран	4,3"	7"	5"	7"
Мегапиксела (сензор/изображение)	1/12	2/12	3/12	4/24
Максимална разделителна способност (изображение/видео)	4032x3024/1920x1080 px		4032x3024/1920x1080 px	5600x4200/3840x2160 px
Формат на изображението/видеото	*.jpg/*.avi		*.jpg/*.avi, *.mov	*.jpg/*.mp4
Сензор	1/4	1/2,9	1/3	
Размер на пикселите	3,0 µm	2,8 µm	2,2 µm	2,0 µm
Чувствителност	силночувствителен сензор	3800 mV/Lux-s	2000 mV/Lux-s	1900 mV/Lux-s
Спектрален обхват	410–1100 nm			
Ръчни настройки	баланс на бялото, контрол на експозицията			
Изход (конектори)	microSD, miniUSB	microSD, miniUSB	microSD, miniUSB, HDMI, AV	microSD, miniUSB, HDMI
Операционна система	Windows 7/8/10, Mac OS	–	Windows XP SP3/7/8/10	–
Захранване (микроскоп)	110–220 V; 5 V, 2 A чрез USB кабел			
Захранване (IR дистанционно)	1 бр. батерия CR2025 батерия (включен)	2 бр. батерии AAA (не е включен)		
Диапазон на работната температура	–20...+70 °C			

Levenhuk си запазва правото да променя или да преустанови предлагането на продукта без предварително уведомление.

Грижи и поддръжка

- **Никога и при никакви обстоятелства не гледайте директно към слънцето, друг ярък източник на светлина или лазер през това устройство, тъй като това може да предизвика ПЕРМАНЕНТНО УВРЕЖДАНЕ НА РЕТИНАТА и може да доведе до СЛЕПОТА.**
- Предприемете необходимите превантивни мерки при използване на това устройство от деца или други, които не са прочели или които не са разбрали напълно тези инструкции.
- След като разопаковате Вашия микроскоп и преди да го използвате за първи път, проверете дали всички компоненти и връзки са здрави и с ненарушена цялост.
- Не се опитвайте да разглобявате устройството самостоятелно. За всякакви ремонти се обръщайте към местния специализиран сервизен център.
- Предпазвайте устройството от внезапни удари и прекомерна механична сила. Не прилагайте прекомерен натиск при настройване на фокусирането. Не пренатягайте заключващите винтове.
- Не пипайте повърхностите на оптиката с пръсти. За почистване на отвън, използвайте само специални кърпички и течности за почистване на оптика от Levenhuk. Не използвайте корозивни течности или такива на основата на ацетон за почистване на оптиката.
- Абразивните частици, като напр. пясък, не трябва да бъдат забърсвани от лещите, а трябва да бъдат издухвани или изчетквани с мека четка.
- Не използвайте устройството за продължителни периоди от време и не го оставяйте без надзор на директна слънчева светлина. Пазете устройството далече от вода и висока влажност.
- Бъдете внимателни по време на наблюдения, винаги поставяйте покривалото против прах обратно на мястото му, след като сте приключили с наблюдението, за да предпазите устройството от прах и поява на петна.
- Ако не използвате Вашия микроскоп за продължителни периоди от време, съхранявайте лещите на обектива и окулярите отделно от микроскопа.
- Съхранявайте устройството на сухо и хладно място, далеч от опасни киселини и други химикали, далеч от отоплителни уреди, открит огън и други източници на високи температури.
- Когато използвате микроскопа, опитайте да не го използвате в близост до запалими материали или вещества (бензен, хартия, картон, пластмаса и т.н.), тъй като основата може да се нагрее по време на употреба и може да възникне опасност от пожар.
- Винаги изключвайте микроскопа от източника на захранване, преди да отворите основата или да смените осветителната лампа. Независимо от вида на лампата (халогенна или с нажежаема жичка) я оставете да се охлади за кратко, преди да опитате да я смените, и винаги я сменяйте с лампа от същия тип.
- Винаги използвайте захранване с подходящо напрежение, т.е. посоченото

в спецификациите на Вашия нов микроскоп. Включването на инструмента в електрически контакт с различно напрежение ще повреди електрическата верига на микроскопа, ще изгори лампата или може дори да причини късо съединение.

- **Потърсете веднага медицинска помощ, ако погълнете малка част или батерия.**

Инструкции за безопасност на батериите

- Винаги купувайте батерии с правилния размер и характеристики, които са най-подходящи за предвидената употреба.
- Винаги сменяйте всички батерии едновременно, като внимавате да не смесите стари и нови или батерии от различен тип.
- Почистете контактите на батериите, както и тези на устройството, преди да поставите батериите.
- Уверете се, че батериите са поставени правилно по отношение на полярността (+ и -).
- Извадете батериите от оборудването, ако то няма да бъде използвано продължителен период от време.
- Извадете използваните батерии незабавно.
- Никога не свързвайте батерии накъсо, тъй като това може да доведе до високи температури, теч или експлозия.
- Никога не загрявайте батерии, опитвайки се да ги използвате допълнително време.
- Не разглобявайте батериите.
- Не забравяйте да изключите устройствата след употреба.
- Дръжте батериите далеч от достъпа на деца, за да избегнете риск от поглъщане, задъшаване или отравяне.
- Изхвърляйте използваните батерии, както е предписано от законите във Вашата страна.

Международна доживотна гаранция от Levenhuk

Всички телескопи, микроскопи, бинокли и други оптични продукти от Levenhuk, с изключение на аксесоарите, имат **доживотна гаранция** за дефекти в материалите и изработката. Доживотната гаранция представлява гаранция, валидна за целия живот на продукта на пазара. За всички аксесоари Levenhuk се предоставя гаранция за липса на дефекти на материалите и изработката за период от **две години** от датата на покупка на дребно. Levenhuk ще ремонтира или замени всеки продукт или част от продукт, за които след проверка от страна на Levenhuk се установи наличие на дефект на материалите или изработката. Задължително условие за задължението на Levenhuk да ремонтира или замени такъв продукт е той да бъде

върнат на Levenhuk заедно с документ за покупка, който е задоволителен за Levenhuk.

Тази гаранция не покрива консумативи, като крушки (електрически, LED, халогенни, енергоспестяващи или други типове лампи), батерии (акумулаторни и неакумулаторни), електрически консумативи и т.н.

За повече информация посетете нашата уебстраница: www.levenhuk.bg/garantsiya
Ако възникнат проблеми с гаранцията или ако се нуждаете от помощ за използването на Вашия продукт, свържете се с местния представител на Levenhuk.

Mikroskopy s dálkovým ovládáním Levenhuk DTX RC

CZ

Viz obr. 1 (zařízení), 2 (LCD obrazovka), 3 (ovládací panel) a 4 (příslušenství). Vyhledejte model svého mikroskopu a zobrazte všechny podrobnosti zařízení.

Rozbalení a zapnutí

- Mikroskop opatrně vybalte a položte na rovný povrch.
- Pomocí dodaného hardwaru připevněte sloupek a držáky vzorků k základně.
- LCD obrazovku namontujte ke sloupku a utáhněte pojistný šroub.
- Napájecí kabel připojte k odpovídajícím konektorům v základně a na LCD obrazovce a poté se automaticky zapne obrazovka a podsvícení.
- Obrazovku lze zapnout a vypnout stisknutím a podržením tlačítka „Power on/off“ (Vypínač napájení) na obrazovce po dobu 2 sekund.

Karta microSD (nutno koupit samostatně) slouží k ukládání pořízených statických snímků a videozáznamů. Mikroskop vypněte a kartu microSD vložte do odpovídajícího slotu na těle mikroskopu, dokud vám zvuk cvaknutí neoznámí, že je vložena správně. Při vkládání microSD karty nepoužívejte příliš velkou sílu. Nejde-li na své místo vložit snadno, zkuste ji otočit.

Pokud LCD obrazovka zamrzne, použijte tlačítko „Reset“ (Resetovat) na zadní straně LCD obrazovky. Tlačítko lze stisknout úzkým předmětem, jako je například kancelářská sponka. Obnovíte tím veškerá tovární nastavení a restartujete LCD obrazovku. Uložené snímky nebo videa nebudou odstraněny.

UV filtr

Pomocí nálepky 3M připevněte UV filtr ke krytu zorníku. Strana filtru se závitem musí být přilepena ke krytu zorníku.

Upozornění: Správné síťové napětí naleznete v tabulce technických parametrů. Bez použití měniče se nikdy nepokoušejte připojit zařízení dimenzované na napětí 220 V do zásuvky poskytující napětí 110 V a opačně. Mějte na paměti, že síťové napětí ve většině evropských zemí je 220–240 V, zatímco v USA a v Kanadě je to 110 V.

Nabídka aplikace



Režim videa



00:01 Záznam videa



Režim fotografie



Snímat statický obraz



Ikona stavu karty microSD



Režim snímku



Režim přehrávání/
zobrazení

Digitální zvětšení

Během pozorování můžete obraz zvětšit stisknutím tlačítka „Up“ (Nahoru) a zmenšit stisknutím tlačítka „Down“ (Dolů).

Snímání obrazu

1. Zapněte mikroskop a položte vzorek na stolec.
2. Nastavte objektiv do požadované výšky pomocí makrošroubu pro hrubé zaostření.
3. Nastavte jas osvětlení tak, aby byl preparát rovnoměrně osvětlený.
4. Upravte zvětšení a ostrost obrazu pomocí makrošroubu pro hrubé zaostření a kroužku optického zoomu.
5. Chcete-li pořídit snímek, stiskněte tlačítko „Capture“ (Pořídit snímek).
6. V režimu „Freeze“ (Znehybnění) lze uložit snímek krátkým stisknutím tlačítka „OK“ (kromě RC1).

Pořizování videozáznamů

1. Stisknutím klávesy „Video“ přejdete do režimu videozáznamu. Přechod do jiného režimu je potvrzen změnou ikony v levém horním rohu.
2. Stisknutím tlačítka „OK“ zahájíte záznam. **Poznámka:** tlačítko „OK“ nedržte stisknuté; pouze jej krátce stiskněte a uvolněte.
3. Dalším stisknutím tlačítka „OK“ záznam zastavíte.
4. Stisknutím tlačítka „Capture“ (Pořídit snímek) zachytíte snímek, když mikroskop zaznamenává video. Snímek pořízený tímto způsobem nemusí mít tak vysoké rozlišení jako je rozlišení videa – kvalita snímku bude nižší.

Prohlížení fotografií a videí

1. Vložte kartu microSD do slotu pro kartu SD.
2. Dvakrát stiskněte tlačítko „Video“. Přepnete tak do režimu prohlížení.
3. Obrázky a videa si můžete prohlížet pomocí tlačítek „Right“ (Doprava) nebo „Left“ (Doleva). Přehrávání videa zahájíte stisknutím tlačítka „Capture“ (Pořídit snímek).

Uložení fotografií a videí do počítače

1. Vložte kartu microSD do slotu pro kartu SD.
2. Pomocí kabelu USB připojte mikroskop k počítači. Potom můžete fotografie a videa přesunout do počítače.

Použití s počítačem a televizí

Prohlížení na počítači (pouze RC1, RC3)

Programy **AMCAP**, **ViewPlayCap**, **WebCam Monitor** a **Microscope Measure** lze stáhnout z oficiálních webových stránek Levenhuk.

Levenhuk DTX RC1

Windows 7/8/10, Mac OS:

1. Do počítače nainstalujte software **AMCAP** (Windows 7/8), **ViewPlayCap** (Windows 10), **WebCam Monitor** (Mac OS). Až instalaci softwaru dokončíte, na ploše se vám ukáže ikona aplikace **PC camera**.
2. Pomocí tlačítka „Power on/off“ (Napájení zap/vyp) vypněte LCD obrazovku.
3. Pomocí kabelu USB připojte LCD obrazovku k počítači.
4. Až bude instalace hotová, kliknutím na ikonu aplikace **PC camera**.

Levenhuk DTX RC3

Windows XP SP3/7/8/10:

1. Do počítače nainstalujte software **Microscope Measure**. Až instalaci softwaru dokončíte, na ploše se vám ukáže ikona aplikace **Microscope Measure**.
2. Pomocí tlačítka „Power on/off“ (Napájení zap/vyp) vypněte LCD obrazovku.
3. Pomocí kabelu USB připojte LCD obrazovku k počítači.
4. Až bude instalace hotová, kliknutím na ikonu aplikace **Microscope Measure**.

Připojení k televizoru nebo monitoru pomocí konektoru AV (pouze RC3)

1. Připojte mikroskop k síťové zásuvce.
2. Pomocí kabelu AV (není součástí dodávky) připojte LCD obrazovku k televizoru nebo k monitoru. Obraz na LCD obrazovce se vypne a zapne se připojená obrazovka.
3. Teď můžete začít s prohlížením na obrazovce. Pokud je do mikroskopu vložena karta microSD, můžete pořizovat a ukládat snímky. Funkce záznamu videa není dostupná v tomto režimu zobrazení.

Připojení k televizoru nebo monitoru pomocí konektoru HDMI (pouze RC3, RC4)

1. Připojte mikroskop k síťové zásuvce.
2. Pomocí kabelu HDMI (součástí dodávky) připojte LCD obrazovku k televizoru nebo k monitoru. Obraz na LCD obrazovce se vypne a zapne se připojená obrazovka.
3. Teď můžete začít s prohlížením na obrazovce. Pokud je do mikroskopu vložena karta microSD, můžete pořizovat a ukládat snímky. Funkce záznamu videa není dostupná v tomto režimu zobrazení.

Nastavení

Stisknutím tlačítka „Menu“ (Nabídka) přejdete do nabídky nastavení LCD obrazovky. Pomocí ovládacích tlačítek vyberte požadované parametry. Znovu stiskněte tlačítko „Menu“ (Nabídka) aby se vybrané parametry uložily. Při ukládání nastavení mikroskop nevyvínejte.

Technické údaje

ID produktu	76821	76822	76823	76824
Model	Levenhuk DTX RC1	Levenhuk DTX RC2	Levenhuk DTX RC3	Levenhuk DTX RC4
Digitální zvětšení	3–220x	3–200x	5–260x	5–270x
Optické zvětšení	3–55x	3–50x	5–15x	5–40x
Materiál optiky	optické sklo			
Tělo	kov			
Pracovní stolek	100x160 mm	120x200 mm, včetně držáků preparátů	120x170 mm	120x200 mm, včetně držáků preparátů
Systém ostření	hrubé, 23 mm	hrubé, 150 mm	hrubé, 100 mm	hrubé, 77 mm
Osvětlení	horní (LED) (2 osvětlení na nastavitelných ramenech a osvětlení uvnitř objektivu)		horní (LED) (2 osvětlení na nastavitelných ramenech)	
UV filtr	+			
Otočná barevná LCD obrazovka	4,3"	7"	5"	7"
Rozlišení v megapixelech (snímač/obraz)	1/12	2/12	3/12	4/24
Max. rozlišení (obraz/video)	4032x3024/1920x1080 px		4032x3024/1920x1080 px	5600x4200/3840x2160 px
Formát snímku/videa	*.jpg/*.avi		*.jpg/*.avi, *.mov	*.jpg/*.mp4
Snímač	1/4	1/2,9	1/3	
Rozměr pixelu	3,0 μm	2,8 μm	2,2 μm	2,0 μm
Citlivost	vysoce citlivý snímač	3800 mV/Lux-s	2000 mV/Lux-s	1900 mV/Lux-s
Spektrální rozsah	410–1100 nm			
Ruční nastavení	vyvážení bílé, nastavení expozice			
Výstup (konektory)	microSD, miniUSB	microSD, miniUSB	microSD, miniUSB, HDMI, AV	microSD, miniUSB, HDMI
Operační systém	Windows 7/8/10, Mac OS	–	Windows 7/8/10	–
Napájení (mikroskop)	110–220 V; 5 V, 2 A přes USB kabel			
Napájení (IR dálkové ovládání)	1 ks CR2025 baterie (součástí dodávky)	2 ks AAA baterie (není součástí dodávky)		
Rozsah provozní teploty	–20...+70 °C			

Společnost Levenhuk si vyhrazuje právo provádět bez předchozího upozornění úpravy jakéhokoliv výrobku, případně zastavit jeho výrobu.

Péče a údržba

- **Nikdy, za žádných okolností se tímto přístrojem nedívejte přímo do slunce, jiného světelného zdroje nebo laseru, neboť hrozí nebezpečí TRVALÉHO POŠKOZENÍ SÍTNICE a případně i OSLEPNUTÍ.**
- Při použití tohoto přístroje dětmi nebo osobami, které tento návod nečetly nebo s jeho obsahem nebyly plně seznámeny, uplatněte nezbytná preventivní opatření.
- Po vybalení mikroskopu a před jeho prvním použitím zkontrolujte neporušenost jednotlivých komponent a spojů.
- Nepokoušejte se přístroj sami rozebírat. S opravami veškerého druhu se obračejte na své místní specializované servisní středisko.
- Přístroj chraňte před prudkými nárazy a nadměrným mechanickým namáháním. Při zaostřování nevyvíjejte nadměrný tlak. Neutahujte šrouby konstrukce příliš silně.
- Nedotýkejte se svými prsty povrchů optických prvků. K vyčištění vnějších částí přístroje používejte výhradně speciální čisticí ubrousky a speciální nástroje k čištění optiky dodávané společností Levenhuk. K čištění optiky nepoužívejte žádné žíraviny ani kapaliny na acetonové bázi.
- Abrazivní částice, například písek, by se neměly z čoček otírat, ale sfouknout nebo smést měkkým kartáčkem.
- Přístroj příliš dlouho nepoužívejte ani neopouštějte bez dozoru na přímém slunci. Chraňte přístroj před stykem s vodou.
- Při pozorování dbejte na opatrnost; po skončení pozorování vždy nasaďte ochranný kryt, abyste mikroskop ochránili před prachem a jiným znečištěním.
- Pokud svůj mikroskop nebudete delší dobu používat, uložte čočky objektivu a okuláru odděleně od samotného mikroskopu.
- Přístroj ukládejte na suchém, chladném místě, mimo dosah nebezpečných kyselin nebo jiných chemikálií, topných těles, otevřeného ohně a jiných zdrojů vysokých teplot.
- Mikroskop nepoužívejte v blízkosti hořlavých materiálů nebo látek (benzín, papír, lepenka, plast apod.), neboť stativ se může při práci zahřívát a vyvolávat riziko požáru.
- Před otevřením stativu nebo výměnou žárovky osvětlení vždy mikroskop odpojte od zdroje napájení. Bez ohledu na typ žárovky (halogenová nebo obyčejná) ji nechejte před výměnou nějakou dobu vychladnout a vždy ji vyměňujte za žárovku stejného typu.
- Vždy používejte napájení o správném napětí tak, jak je uvedeno v technických údajích vašeho nového mikroskopu. Připojení přístroje do odlišné zásuvky může vést k poškození elektronických obvodů mikroskopu, spálení žárovky nebo dokonce vyvolat zkrat.
- **Při náhodném požití malé součásti nebo baterie ihned vyhledejte lékařskou pomoc.**

Bezpečnostní pokyny týkající se baterií

- Vždy nakupujte baterie správné velikosti a typu, které jsou nejhodnější pro zamýšlený účel.
- Při výměně vždy nahrazujte celou sadu baterií a dbejte na to, abyste nemíchali staré a nové baterie, případně baterie různých typů.
- Před instalací baterií vyčistěte kontakty na baterii i na přístroji.
- Ujistěte se, zda jsou baterie instalovány ve správné polaritě (+ resp. -).
- V případě, že zařízení nebudete delší dobu používat, vyjměte z něj baterie.
- Použité baterie včas vyměňujte.
- Baterie nikdy nezkratujte, mohlo by to vést ke zvýšení teploty, úniku obsahu baterie nebo k explozi.
- Baterie se nikdy nepokoušejte oživit zahříváním.
- Po použití nezapomeňte přístroj vypnout.
- Baterie uchovávejte mimo dosah dětí, abyste předešli riziku spolknutí, vdechnutí nebo otravy.
- S použitými bateriemi nakládejte v souladu s vašimi vnitrostátními předpisy.

Mezinárodní doživotní záruka Levenhuk

Na veškeré teleskopy, mikroskopy, triedry a další optické výrobky značky Levenhuk, s výjimkou příslušenství, se poskytuje **doživotní záruka** pokrývající vady materiálu a provedení. Doživotní záruka je záruka platná po celou dobu životnosti produktu na trhu. Na veškeré příslušenství značky Levenhuk se poskytuje záruka toho, že je dodáváno bez jakýchkoli vad materiálu a provedení, a to po dobu **dvou let** od data zakoupení v maloobchodní prodejně. Tato záruka vám v případě splnění všech záručních podmínek dává nárok na bezplatnou opravu nebo výměnu výrobku značky Levenhuk v libovolné zemi, v níž se nachází pobočka společnosti Levenhuk. Další informace – navštivte naše webové stránky: www.levenhuk.cz/zaruka
V případě problémů s uplatněním záruky, nebo pokud budete potřebovat pomoc při používání svého výrobku, obraťte se na místní pobočku společnosti Levenhuk.

Levenhuk- Fernbedienungs- mikroskope DTX RC

DE

Schauen Sie sich die Abbildungen 1 (Gerät), 2 (LCD-Bildschirm), 3 (Bedienfeld) und 4 (Zubehör) an. Finden Sie das richtige Mikroskopmodell für Sie, schauen Sie sich sämtliche Details an.

Vorbereitung

- Packen Sie das Mikroskop sorgfältig aus, stellen Sie das Instrument auf eine flache Unterlage.
- Fixieren Sie Stange und Probenhalter mit dem mitgelieferten Montagematerial an der Basis.
- Bringen Sie den LCD-Bildschirm an der Stange an, ziehen Sie die Fixierschraube an.
- Schließen Sie das Stromversorgungskabel an die dafür vorgesehenen Anschlüsse an Basis und LCD-Bildschirm an. Hintergrundbeleuchtung und Bildschirm schalten sich automatisch ein.
- Halten Sie die „Power on/off“ (Ein-/Ausschalter)-Taste am Bildschirm zum Ein- und Ausschalten des Bildschirms 2 Sekunden lang gedrückt.

Zum Speichern von Bild- und Videoaufnahmen ist eine microSD-Karte (separat erhältlich) erforderlich. Schalten Sie das Mikroskop aus und schieben Sie die microSD-Karte in den microSDSchlitz am Mikroskopsockel ein, bis sie mit einem Klicken einrastet. Wenden Sie beim Einführen der microSD-Karte keine übermäßige Kraft an. Falls sich die Karte nicht leicht einrasten lässt, führen Sie sie anders herum ein.

Falls der LCD-Bildschirm ein eingefrorenes Bild zeigt, schauen Sie sich die „Reset“ (Rücksetztaste) an der Rückseite des LCD-Bildschirms an. Betätigen Sie die Rücksetztaste mit einem sehr schmalen Gegenstand, zum Beispiel einer aufgebogenen Büroklammer. Dadurch werden die Einstellungen auf die Werksvorgaben rückgesetzt, der LCD-Bildschirm startet neu. Gespeicherte Fotos und Videos werden dabei nicht gelöscht.

VORSICHT: Die korrekte Netzspannung entnehmen Sie der Tabelle mit den technischen Daten. Schließen Sie ein 220-V-Gerät niemals ohne Spannungswandler an eine 110-V-Steckdose an und umgekehrt. In den meisten europäischen Ländern beträgt die Netzspannung 220–240 V; in den USA und Kanada beträgt sie 110 V.

UV-Filter

Fixieren Sie den UV-Filter mit 3M-Klebeband an der Objektivabdeckung. Fixieren Sie den Filter dabei mit der Gewindeseite an der Objektivabdeckung.

Applikationsmenü



Videomodus



MicroSD-Status



00:01 Videoaufnahme



Standbildmodus



Fotomodus



Anzeigemodus



Nimmt ein Bild auf

Digitale Vergrößerung

Mit der Aufwärtstaste vergrößern Sie die Bilddarstellung, mit der Abwärtstaste verkleinern Sie die Darstellung.

Aufnehmen eines Bilds

1. Schalten Sie das Mikroskop ein, legen Sie dann die Probe auf den Objektisch.
2. Stellen Sie das Objektiv mit dem Grobtrieb auf die gewünschte Höhe ein.
3. Regeln Sie die Helligkeit der Beleuchtung so, dass die Probe gleichmäßig ausgeleuchtet ist.
4. Stellen Sie Vergrößerung und Bildschärfe mit dem Grobtrieb und dem Zoomring ein.
5. Zum Aufnehmen eines Fotos drücken Sie die „Capture“ (Aufnahme)-Taste.
6. Im Standbildmodus drücken Sie zur Bildaufnahme kurz auf die „OK“-Taste (außer RC1).

Aufzeichnen eines Videos

1. Drücken Sie die Video-Taste, um in den Videomodus zu wechseln. Das Symbol oben links im Bildschirm zeigt den Videomodus an.
2. Zum Starten der Aufnahme drücken Sie die „OK“-Taste. Hinweis: Halten Sie die „OK“-Taste nicht gedrückt, drücken Sie nur kurz.
3. Zum Stoppen der Videoaufnahme drücken Sie die „OK“-Taste noch einmal.
4. Durch kurzes Drücken der „Capture“ (Aufnahme)-Taste können Sie ein Standbild

aufnehmen, während gerade ein Video aufgezeichnet wird. Auf diese Weise aufgenommene Fotos sind gewöhnlich nicht so scharf wie eigens Fotomodus aufgenommene Bilder.

Fotos und Videos anzeigen

1. Legen Sie die microSD-Karte in den SD-Kartensteckplatz ein (wenn die Karte nicht eh schon eingelegt ist).
2. Drücken Sie zum Umschalten in den Anzeigemodus die Video-Taste zweimal.
3. Wählen Sie die Bilder und Videos mit den Links- und Rechts-Tasten aus. Starten Sie die Videowiedergabe mit der „Capture“ (Aufnahme)-Taste.

Fotos und Videos per Computer speichern

1. Legen Sie die microSD-Karte in den SD-Kartensteckplatz ein (wenn die Karte nicht eh schon eingelegt ist).
2. Schließen Sie das Mikroskop über das USB-Kabel an den Computer an. Jetzt können Sie Fotos und Videos zum Computer übertragen.

Mit Computer oder Fernsehgerät verwenden

Bild zum Computer übertragen (nur RC1, RC3)

AMCAP, ViewPlayCap, WebCam Monitor und Microscope Measure-Programme können von der Levenhuk-Website heruntergeladen werden.

Levenhuk DTX RC1

Windows 7/8/10, Mac OS:

1. Installieren Sie die mitgelieferte AMCAP-Treibersoftware (Windows 7/8), ViewPlayCap-Treibersoftware (Windows 10), WebCam-Monitor-Treibersoftware (Mac OS). Nach Abschluss des Softwareinstallations erscheint das PC-camera-Symbol auf dem Desktop.
2. Schalten Sie den LCD-Bildschirm mit der Ein-/Austaste an.
3. Schließen Sie den LCD-Bildschirm über das USB-Kabel an den Computer an.
4. Nach Abschluss der Installation doppelklicken Sie zum Starten der Anzeige auf das PC camera-Symbol auf dem Desktop.

Levenhuk DTX RC3

Windows XP SP3/7/8/10:

1. Installieren Sie die mitgelieferte Microscope-Measure-Treibersoftware. Nach Abschluss des Softwareinstallations erscheint das Microscope-Measure-Symbol auf dem Desktop.
2. Schalten Sie den LCD-Bildschirm mit der Ein-/Austaste an.
3. Schließen Sie den LCD-Bildschirm über das USB-Kabel an den Computer an.
4. Nach Abschluss der Installation doppelklicken Sie zum Starten der Anzeige auf das Microscope-Measure-Symbol auf dem Desktop.

Fernsehgeräte/Monitore mit AV-Anschluss verbinden (nur RC3)

1. Schließen Sie das Mikroskop an die Stromversorgung an.
2. Schließen Sie den LCD-Bildschirm über ein separat erhältliches AV-Kabel an das Fernsehgerät/den Monitor an. Das Bild wird nicht mehr per LCD-Bildschirm angezeigt, sondern auf dem verbundenen Anzeigegerät.
3. Nun können Sie die Mikroskopbilder auf dem großen Bildschirm betrachten. Sofern eine microSD-Karte ins Mikroskop eingelegt ist, können Sie Fotos aufnehmen und speichern. Videoaufzeichnung ist in diesem Anzeigemodus nicht möglich.

Fernsehgeräte/Monitore mit HDMI-Anschluss verbinden (nur RC3, RC4)

1. Schließen Sie das Mikroskop an die Stromversorgung an.
2. Schließen Sie den LCD-Bildschirm über ein separat erhältliches HDMI-Kabel an das Fernsehgerät/den Monitor an. Das Bild wird nicht mehr per LCD-Bildschirm angezeigt, sondern auf dem verbundenen Anzeigegerät.
3. Nun können Sie die Mikroskopbilder auf dem großen Bildschirm betrachten. Sofern eine microSD-Karte ins Mikroskop eingelegt ist, können Sie Fotos aufnehmen und speichern. Videoaufzeichnung ist in diesem Anzeigemodus nicht möglich.

Einrichtung

Mit der „Menu“ (Menü) gelangen Sie zum Einstellungs Menü des LCD-Bildschirms. Wählen Sie die gewünschten Parameter mit den Steuerungstasten. Zum Speichern der ausgewählten Parameter drücken Sie die „Menu“ (Menü) noch einmal. Trennen Sie das Mikroskop nicht von der Stromversorgung, während gerade gespeichert wird.

Technische Daten

Artikelnummer	76821	76822	76823	76824
Modell	Levenhuk DTX RC1	Levenhuk DTX RC2	Levenhuk DTX RC3	Levenhuk DTX RC4
Digitale Vergrößerung	3–220x	3–200x	5–260x	5–270x
Optische Vergrößerung	3–55x	3–50x	5–15x	5–40x
Optisches Material	Optikglas			
Gehäuse	Metall			
Objektstisch	100x160 mm	120x200 mm, mit Probenhaltern	120x170 mm	120x200 mm, mit Probenhaltern
Fokussierung	Grobtrieb, 23 mm	Grobtrieb, 150 mm	Grobtrieb, 100 mm	Grobtrieb, 77 mm
Beleuchtung	obere (LED) (2 Leuchten an flexiblen Armen sowie Beleuchtung im Objektiv)		obere (LED) (2 Leuchten an flexiblen Armen)	
UV-Filter	+			
Drehbarer LCD-Farbbildschirm	4,3"	7"	5"	7"
Megapixel (Sensor/Bild)	1/12	2/12	3/12	4/24
Maximale Auflösung (Bild/Video)	4032x3024/1920x1080 px		4032x3024/1920x1080 px	5600x4200/3840x2160 px
Bild-/Videoformat	*.jpg/*.avi		*.jpg/*.avi, *.mov	*.jpg/*.mp4
Sensor	1/4	1/2,9	1/3	
Pixelgröße	3,0 µm	2,8 µm	2,2 µm	2,0 µm
Empfindlichkeit	hoheempfindlicher Sensor	3800 mV/Lux-s	2000 mV/Lux-s	1900 mV/Lux-s
Spektralbereich	410–1100 nm			
Manuelle Einstellungen	Weißabgleich, Belichtungssteuerung			
Anschlüsse (Anschlüsse)	microSD, miniUSB	microSD, miniUSB	microSD, miniUSB, HDMI, AV	microSD, miniUSB, HDMI
Operační systém	Windows 7/8/10, Mac OS	–	Windows 7/8/10	–
Stromversorgung (Mikroskop)	110–220 V; 5 V, 2 A per USB-Kabel			
Stromversorgung (Infrarotfernbedienung)	1 CR-2025-Batterie (mitgeliefert)	2 AAA-Batterien (separat erhältlich)		
Umgebungstemperatur	–20 bis 70 °C			

Levenhuk behält sich das Recht vor, Produkte ohne vorherige Ankündigung zu modifizieren oder einzustellen.

Pflege und Wartung

- **Richten Sie das Instrument unter keinen Umständen direkt auf die Sonne, andere helle Lichtquellen oder Laserquellen. Es besteht die Gefahr DAUERHAFTER NETZZHAUTSCHÄDEN und ERBLINDUNGSGEFAHR.**
- Treffen Sie geeignete Vorsichtsmaßnahmen, wenn Kinder oder Menschen das Instrument benutzen, die diese Anleitung nicht gelesen bzw. verstanden haben.
- Prüfen Sie nach dem Auspacken Ihres Mikroskops und vor der ersten Verwendung die einzelnen Komponenten und Verbindungen auf ihre Beständigkeit.
- Versuchen Sie nicht, das Instrument eigenmächtig auseinanderzunehmen. Wenden Sie sich für Reparaturen an ein spezialisiertes Servicecenter vor Ort.
- Schützen Sie das Instrument vor plötzlichen Stößen und anderen mechanischen Belastungen. Üben Sie beim Fokussieren keinen übermäßigen Druck aus. Wenden Sie keine übermäßige Kraft auf die Feststellschrauben und Fixierungsschrauben an.
- Berühren Sie die optischen Oberflächen nicht mit den Fingern. Verwenden Sie zur äußerlichen Reinigung des Instruments ausschließlich die speziellen Reinigungstücher und das spezielle Optik-Reinigungszubehör von Levenhuk. Reinigen Sie die Optik nicht mit korrodierenden Flüssigkeiten oder Flüssigkeiten auf Acetonbasis.
- Schleifkörper wie Sandkörner dürfen nicht abgewischt werden. Sie können sie weggblasen oder einen weichen Pinsel verwenden.
- Das Instrument ist nicht für Dauerbetrieb ausgelegt. Lassen Sie das Instrument nicht in direktem Sonnenlicht zurück. Halten Sie das Instrument von Wasser und hoher Feuchtigkeit fern.
- Lassen Sie Sorgfalt bei der Beobachtung walten und setzen Sie nach Abschluss der Beobachtung die Staubabdeckung wieder auf, um das Gerät vor Staub und Verschmutzungen zu schützen.
- Bewahren Sie bei längeren Phasen der Nichtbenutzung die Objektivlinsen und Okulare getrennt vom Mikroskop auf.
- Lagern Sie das Instrument an einem trockenen, kühlen Ort, der frei von Staub, gefährlichen Säuren und anderen Chemikalien ist, und in ausreichendem Abstand zu Heizgeräten, offenem Feuer und anderen Hochtemperaturquellen.
- Setzen Sie das Mikroskop nach Möglichkeit nicht in der Nähe brennbarer Materialien oder Substanzen (Benzen, Papier, Karton, Plastik usw.) ein, da sich der Sockel bei der Verwendung erhitzen kann und dies bei Anwesenheit brennbarer Stoffe ein Brandrisiko darstellt.
- Trennen Sie das Mikroskop immer vom Strom, bevor Sie den Sockel öffnen oder die Beleuchtungslampe austauschen. Lassen Sie sowohl Glühlampen als auch Halogenlampen vor dem Auswechseln zunächst abkühlen, und ersetzen Sie sie stets durch Lampen desselben Typs.
- Verwenden Sie stets eine Stromquelle mit der Spannung, die in den technischen Angaben zu Ihrem Mikroskop spezifiziert ist. Wird das Instrument an eine

Steckdose mit abweichender Spannung angeschlossen, ist mit Beschädigung der elektrischen Schaltkreise des Mikroskops, Durchbrennen der Lampe oder sogar Kurzschlüssen zu rechnen.

- **Bei Verschlucken eines Kleinteils oder einer Batterie umgehend ärztliche Hilfe suchen!**

Sicherheitshinweise zum Umgang mit Batterien

- Immer die richtige, für den beabsichtigten Einsatz am besten geeignete Batteriegröße und -art erwerben.
- Stets alle Batterien gleichzeitig ersetzen. Alte und neue Batterien oder Batterien verschiedenen Typs nicht mischen.
- Batteriekontakte und Kontakte am Instrument vor Installation der Batterien reinigen.
- Beim Einlegen der Batterien auf korrekte Polung (+ und -) achten.
- Batterien entnehmen, wenn das Instrument für einen längeren Zeitraum nicht benutzt werden soll.
- Verbrauchte Batterien umgehend entnehmen.
- Batterien nicht kurzschließen, um Hitzeentwicklung, Auslaufen oder Explosionen zu vermeiden.
- Batterien dürfen nicht zum Wiederbeleben erwärmt werden.
- Instrumente nach Verwendung ausschalten.
- Batterien für Kinder unzugänglich aufbewahren, um Verschlucken, Ersticken und Vergiftungen zu vermeiden.

Lebenslange internationale Garantie

Levenhuk garantiert für alle Teleskope, Mikroskope, Ferngläser und anderen optischen Erzeugnisse mit Ausnahme von Zubehör **lebenslanglich** die Freiheit von Material- und Herstellungsfehlern. Die lebenslange Garantie ist eine Garantie, die für die gesamte Lebensdauer des Produkts am Markt gilt. Für Levenhuk-Zubehör gewährleistet Levenhuk die Freiheit von Material- und Herstellungsfehlern innerhalb von **zwei Jahren** ab Kaufdatum. Produkte oder Teile davon, bei denen im Rahmen einer Prüfung durch Levenhuk ein Material- oder Herstellungsfehler festgestellt wird, werden von Levenhuk repariert oder ausgetauscht. Voraussetzung für die Verpflichtung von Levenhuk zu Reparatur oder Austausch eines Produkts ist, dass dieses zusammen mit einem für Levenhuk ausreichenden Kaufbeleg an Levenhuk zurückgesendet wird. Diese Garantie erstreckt sich nicht auf Verbrauchsmaterialien wie Leuchtmittel (Glühlampen, LEDs, Halogen- und Energiesparlampen u. a.), Batterien (wiederaufladbare Akkus und nicht wiederaufladbare Batterien), elektrisches Verbrauchsmaterial usw. Weitere Einzelheiten entnehmen Sie bitte unserer Website: www.levenhuk.de/garantie Bei Problemen mit der Garantie, oder wenn Sie Unterstützung bei der Verwendung Ihres Produkts benötigen, wenden Sie sich an die lokale Levenhuk-Niederlassung.

Microscopios Levenhuk DTX RC con mando a distancia

ES

Consulte la figura 1 (dispositivo), 2 (Pantalla LCD), 3 (panel de control) y 4 (accesorios). Encuentre su modelo de microscopio y vea todos los detalles del dispositivo.

Desembalado y puesta en funcionamiento

- Desempaquete el microscopio con cuidado y colóquelo sobre una superficie plana.
- Utilice el hardware suministrado para fijar la barra vertical y las pinzas para portaobjetos a la base.
- Instale la pantalla LCD en la barra vertical y apriete el tornillo de bloqueo.
- Enchufe el cable de alimentación en los conectores correspondientes de la base y de la pantalla LCD, y entonces la retroiluminación y la pantalla se encenderán automáticamente.
- Pulse y mantenga pulsado el botón "Power on/off" (Encendido/apagado) durante 2 segundos en la pantalla para encender y apagar la pantalla.

Es necesaria una tarjeta microSD (se compra por separado) para guardar las imágenes capturadas y los vídeos grabados. Apague el microscopio e inserte la tarjeta microSD en la ranura correspondiente en el cuerpo del microscopio hasta que se fije con un clic. No haga demasiada fuerza cuando inserte la tarjeta microSD. Intente rotar la tarjeta si no se fija fácilmente.

Si la imagen de la pantalla LCD queda inmovilizada, utilice el botón "Reset" (Restablecer) situado en la parte posterior de la pantalla LCD. Utilice un objeto estrecho, tal como un sujetapapeles enderezado, para pulsar el botón. Esto restablecerá todas las configuraciones a los valores predeterminados de fábrica y reiniciará la pantalla LCD. Las fotos o vídeos guardados no se borrarán.

Advertencia: Consulte en la tabla de especificaciones cuál es la tensión de alimentación adecuada para este instrumento y no intente nunca conectar un aparato de 220 V en un enchufe de 110 V o viceversa sin utilizar un convertidor. Recuerde que la tensión de red en la mayor parte de los países europeos es 220–240 V mientras que en los EUA y Canadá es 110 V.

Filtro UV

Utilice una cinta adhesiva 3M para fijar juntos el filtro UV y la tapa de la lente. El lado con rosca del filtro se debe fijar a la tapa de la lente.

Menú de la aplicación



Modo de vídeo



Icono de estado de microSD



00:01 Grabación de vídeo



Modo de imagen estática



Modo de foto



Modo de revisión



Capturar una imagen

Aumento digital

Durante las observaciones, presione el botón "Up" (Arriba) para agrandar la imagen y el botón "Down" (Abajo) para reducir la imagen.

Capturar una imagen

1. Encienda el microscopio y coloque una muestra en la platina.
2. Coloque el objetivo a la altura deseada utilizando el mando de enfoque aproximado.
3. Ajuste el brillo de la iluminación de manera que el espécimen esté iluminado de forma regular.
4. Ajuste la ampliación y nitidez de la imagen girando el mando de enfoque aproximado y el anillo de zoom óptico.
5. Para tomar una foto, pulse el botón "Capture" (Captura).
6. En el modo "Freeze" (Inmovilizado), pulse brevemente el botón "OK" para tomar una foto (excepto en el modelo RC1).

Grabar un vídeo

1. Pulse la tecla "Video" (Vídeo) para pasar al modo de vídeo. El icono en la esquina superior izquierda de la pantalla cambiará para confirmar.
2. Presione el botón "OK" para comenzar a grabar. Nota: no mantenga pulsado el

- botón "OK"; en lugar de ello, púlselo brevemente y suéltelo.
3. Pulse de nuevo el botón "OK" para detener la grabación.
 4. Pulse el botón "Capture" (Capturar) para tomar una foto mientras el microscopio está grabando un vídeo. Si toma una foto de esta manera, es posible que la resolución de la imagen no sea tan alta como la resolución del vídeo; la calidad de la imagen será menor.

Ver fotos y vídeos

1. Inserte la tarjeta microSD en la ranura SD.
2. Pulse el botón "Video" (Vídeo) dos veces para activar el modo de visualización.
3. Pulse los botones "Right" (Derecha) e "Left" (Izquierda) para ver las imágenes y vídeos. Pulse el botón "Capture" (Captura) para comenzar a reproducir el vídeo.

Uso con un ordenador y un televisor

Ver en un ordenador (solo RC1, RC3)

AMCAP, ViewPlayCap, WebCam Monitor, y los programas de **Microscope Measure** se pueden descargar desde el sitio web oficial de Levenhuk.

Levenhuk DTX RC1

Windows 7/8/10, Mac OS:

1. Instale el software **AMCAP** (Windows 7/8), **ViewPlayCap** (Windows 10), **WebCam Monitor** (Mac OS) en el ordenador. Se mostrará el icono **PC camera** en el escritorio cuando termine la instalación del software.
2. Use el botón "Power on/off" (Encendido/Apagado) para apagar la pantalla LCD.
3. Use el cable USB para conectar la pantalla LCD al ordenador.
4. Cuando finalice la instalación, haga clic en el icono **PC camera** en el escritorio de su ordenador para comenzar a ver.

Levenhuk DTX RC3

Windows XP SP3/7/8/10:

1. Instale el software **Microscope Measure** en el ordenador. Se mostrará el icono **Microscope Measure** en el escritorio cuando termine la instalación del software.
2. Use el botón "Power on/off" (Encendido/Apagado) para apagar la pantalla LCD.
3. Use el cable USB para conectar la pantalla LCD al ordenador.
4. Cuando finalice la instalación, haga clic en el icono **Microscope Measure** en el escritorio de su ordenador para comenzar a ver.

Conexión a un TV/monitor con conector AV (solo RC3)

1. Conecte el microscopio a la red eléctrica.
2. Use un cable AV (no incluido) para conectar la pantalla LCD al ordenador. La imagen mostrada en la pantalla LCD se apaga y comienza la visualización en la pantalla conectada.

3. Ahora puede comenzar a ver en la pantalla. Si se inserta una tarjeta microSD en el microscopio, puede tomar y guardar fotos. La función de grabación de vídeo no está disponible en este modo de visualización.

Conexión a un TV/monitor con conector HDMI (solo RC3, RC4)

1. Conecte el microscopio a la red eléctrica.
2. Use un cable HDMI (incluido) para conectar la pantalla LCD al ordenador. La imagen mostrada en la pantalla LCD se apaga y comienza la visualización en la pantalla conectada.
3. Ahora puede comenzar a ver en la pantalla. Si se inserta una tarjeta microSD en el microscopio, puede tomar y guardar fotos. La función de grabación de vídeo no está disponible en este modo de visualización.

Configuración

Pulse el botón "Menu" (Menú) para ir al menú de configuración de la pantalla LCD. Use los botones de control para seleccionar los parámetros requeridos. Pulse el botón "Menu" (Menú) nuevamente para guardar los parámetros seleccionados. No apague el microscopio mientras guarda la configuración.

Especificaciones

ID de producto	76821	76822	76823	76824
Modelo	Levenhuk DTX RC1	Levenhuk DTX RC2	Levenhuk DTX RC3	Levenhuk DTX RC4
Ampliación digital	3–220x	3–200x	5–260x	5–270x
Ampliación óptica	3–55x	3–50x	5–15x	5–40x
Material de la óptica	vidrio óptico			
Cuerpo	metal			
Platina	100x160 mm	120x200 mm, con portamuestras	120x170 mm	120x200 mm, con portamuestras
Sistema de enfoque	aproximado, 23 mm	aproximado, 150 mm	aproximado, 100 mm	aproximado, 77 mm
Iluminación	superior (LED) (2 focos en brazos flexibles e iluminación dentro del objetivo)		superior (LED) (2 focos en brazos flexibles)	
Filtro UV	+			
Pantalla LCD a color giratoria	4,3"	7"	5"	7"
Megapíxeles (sensor/imagen)	1/12	2/12	3/12	4/24
Resolución máx. (imagen/vídeo)	4032x3024/1920x1080 px		4032x3024/1920x1080 px	5600x4200/3840x2160 px
Formato de imagen/vídeo	*.jpg/*.avi		*.jpg/*.avi, *.mov	*.jpg/*.mp4
Sensor	1/4	1/2,9	1/3	
Tamaño de píxel	3,0 µm	2,8 µm	2,2 µm	2,0 µm
Sensibilidad	sensor de alta sensibilidad	3800 mV/Lux-s	2000 mV/Lux-s	1900 mV/Lux-s
Rango espectral	410–1100 nm			
Configuración manual	balance de blancos, control de exposición			
Salida (conectores)	microSD, miniUSB	microSD, miniUSB	microSD, miniUSB, HDMI, AV	microSD, miniUSB, HDMI
Sistema operativo	Windows 7/8/10, Mac OS	–	Windows 7/8/10	–
Fuente de alimentación (microscopio)	110–220 V; 5 V, 2 A mediante cable USB			
Fuente de alimentación (mando a distancia por infrarrojos)	1 pila CR2025 (incluido)	2 pilas AAA (no incluido)		
Rango de temperaturas de funcionamiento	–20...+70 °C			

Levenhuk se reserva el derecho a modificar o descatalogar cualquier producto sin previo aviso.

Cuidado y mantenimiento

- **Nunca, bajo ninguna circunstancia, mire directamente al sol, a otra fuente de luz intensa o a un láser a través de este instrumento, ya que esto podría causar DAÑO PERMANENTE EN LA RETINA y CEGUERA.**
- Tome las precauciones necesarias si utiliza este instrumento acompañado de niños o de otras personas que no hayan leído o que no comprendan totalmente estas instrucciones.
- Tras desembalar el microscopio y antes de utilizarlo por primera vez, compruebe el estado y la durabilidad de cada componente y cada conexión.
- No intente desmontar el instrumento usted mismo bajo ningún concepto, ni siquiera para limpiar el espejo. Si necesita repararlo o limpiarlo, contacte con el servicio técnico especializado que corresponda a su zona.
- Proteja el instrumento de impactos súbitos y de fuerza mecánica excesiva. No aplique una presión excesiva al ajustar el foco. No apriete demasiado los tornillos de bloqueo.
- No toque las superficies ópticas con los dedos. Para limpiar el exterior del instrumento, utilice únicamente los paños y herramientas de limpieza especiales de Levenhuk. No limpie las superficies ópticas con fluidos corrosivos ni a base de acetonas.
- No limpie las partículas abrasivas, como por ejemplo arena, con un paño. Únicamente soplelas o bien pase un cepillo blando.
- No utilice este dispositivo durante períodos largos de tiempo ni lo deje sin atender bajo la luz directa del sol. Protéjalo del agua y la alta humedad.
- Tenga cuidado durante las observaciones y cuando termine recuerde volver a colocar la cubierta para proteger el dispositivo del polvo y las manchas.
- Si no va a utilizar el microscopio durante períodos largos de tiempo, guarde las lentes del objetivo y los oculares por separado del microscopio.
- Guarde el instrumento en un lugar seco y fresco, alejado de ácidos peligrosos y otros productos químicos, radiadores, de fuego y de otras fuentes de altas temperaturas.
- Cuando uses el microscopio intenta no hacerlo cerca de materiales o sustancias inflamables (benceno, papel, cartón, plástico, etc.) ya que la base puede calentarse con el uso y suponer un riesgo de incendio.
- Desconecta siempre el microscopio de la fuente de alimentación antes de abrir la base o cambiar la bombilla. Independientemente del tipo de lámpara (halógena o incandescente), dale tiempo de enfriarse antes de cambiarla y sustitúyela siempre por otra del mismo tipo.
- Utiliza siempre una fuente de alimentación con el voltaje apropiado, el indicado en las especificaciones de tu nuevo microscopio. Si conectas el instrumento a un enchufe distinto podría dañar el circuito eléctrico, fundir la lámpara o incluso provocar un cortocircuito.
- **En el caso de que alguien se trague una pieza pequeña o una pila, busque ayuda médica inmediatamente.**

Instrucciones de seguridad para las pilas

- Compre siempre las pilas del tamaño y grado indicado para el uso previsto.
- Reemplace siempre todas las pilas al mismo tiempo. No mezcle pilas viejas y nuevas, ni pilas de diferentes tipos.
- Limpie los contactos de las pilas y del instrumento antes de instalarlas.
- Asegúrese de instalar las pilas correctamente según su polaridad (+ y -).
- Quite las pilas si no va a utilizar el instrumento durante un periodo largo de tiempo.
- Retire lo antes posible las pilas agotadas.
- No cortocircuite nunca las pilas ya que podría aumentar su temperatura y podría provocar fugas o una explosión.
- Nunca caliente las pilas para intentar reavivarlas.
- No intente desmontar las pilas.
- Recuerde apagar el instrumento después de usarlo.
- Mantenga las pilas fuera del alcance de los niños para eliminar el riesgo de ingestión, asfixia o envenenamiento.
- Deseche las pilas usadas tal como lo indiquen las leyes de su país.

Garantía internacional de por vida Levenhuk

Todos los telescopios, microscopios, prismáticos y otros productos ópticos de Levenhuk, excepto los accesorios, cuentan con una **garantía de por vida** contra defectos de material y de mano de obra. La garantía de por vida es una garantía a lo largo de la vida del producto en el mercado. Todos los accesorios Levenhuk están garantizados contra defectos de material y de mano de obra durante **dos años** a partir de la fecha de compra en el minorista. Levenhuk reparará o reemplazará cualquier producto o pieza que, una vez inspeccionada por Levenhuk, se determine que tiene defectos de materiales o de mano de obra. Para que Levenhuk pueda reparar o reemplazar estos productos, deben devolverse a Levenhuk junto con una prueba de compra que Levenhuk considere satisfactoria.

Esta garantía no cubre productos consumibles como bombillas (eléctricas, LED, halógenas, de bajo consumo y otros tipos de lámparas), pilas (recargables y no recargables), consumibles eléctricos, etc.

Para más detalles visite nuestra página web: www.levenhuk.es/garantia

En caso de problemas con la garantía o si necesita ayuda en el uso de su producto, contacte con su oficina de Levenhuk más cercana.

Levenhuk DTX RC távvezérlésű mikroszkópok

HU

Kérjük, tekintse meg az 1. (készülék), a 2. (LCD-kijelző), a 3. (vezérlőpanel) és a 4. (tartozékok) ábrát. Keressen rá a mikroszkóp típusára, és tekintse meg a készülékre vonatkozó összes részletet.

Az első lépések

- Óvatosan csomagolja ki a mikroszkópot és helyezze egyenes felületre.
- A csomagban lévő hardver segítségével az oszlop és a mintatartók az alapzathoz rögzíthetők.
- Szerelje rá az LCD képernyőt az oszlopra, és húzza meg a rögzítőcsavart.
- Csatlakoztassa a tápkábel az alapzaton és az LCD képernyőn található megfelelő csatlakozókhoz, ezután a háttérvilágítás és a képernyő automatikusan bekapcsol.
- A képernyő be- és kikapcsolásához tartsa nyomva 2 másodpercig a képernyőn lévő „Power on/off” (Ki-/bekapcsoló) gombot.

A felvett képek és rögzített felvételek elmentéséhez mikro-SD-kártyára (külön kapható) van szükség. Kapcsolja ki a mikroszkópot, majd helyezze be a mikro-SD-kártyát a mikroszkóp vázának megfelelő foglalatába úgy, hogy az a helyére pattanjon. Behelyezéskor ne nyomja meg túlzott erővel a mikro-SD-kártyát. Ha a kártya nem illeszkedik könnyedén a helyére, akkor fordítsa meg a kártyát.

Ha az LCD képernyő lefagy, keresse meg az LCD képernyőn hátulján lévő „Reset” (Visszaállítás) gombot. A gombot egy keskeny tárggyal – például egy kiegyenesített gemkapoccsal – nyomja meg. Ekkor minden beállítás visszaáll a gyári alapértelmezett beállításra, az LCD képernyő pedig újraindul. A mentett fényképek és videók nem törölődnek.

Vigyázat: Kérjük, a megfelelő feszültséggel kapcsolatban nézze meg a műszaki leírást, és soha ne próbálja meg a 110 V-os eszközt 220 V-os aljzathoz csatlakoztatni (és fordítva) átalakító használata nélkül. Ne feledje, hogy az Egyesült Államokban és Kanadában a hálózati feszültség 110 V, míg a legtöbb európai országban 220–240 V.

UV-szűrő

Az 3M matrica segítségével ragassa össze az UV-szűrőt és a lencsesapkát. A szűrő menetes oldalát kell a lencsesapkához ragasztani.

Alkalmazás menü



Videó üzemmód



MicroSD állapotikon



00:01 Videofelvétel



Állókép üzemmód



Fénykép üzemmód



Megtekintés üzemmód



Képrögzítés

Digitális nagyítás

Megfigyelés közben a kép nagyítható a „Up” (Fel) gomb megnyomásával és kicsinyíthető a „Down” (Le) gomb megnyomásával.

Kép rögzítése

1. Kapcsolja be a mikroszkópot, és helyezze a mintát a tárgyasztalra.
2. Állítsa az objektívet a kívánt magasságra a durvafókusz-állító gombbal.
3. Állítsa be a világítás fényerejét úgy, hogy a minta kellően megvilágított legyen.
4. A durvafókusz-állító gomb és az optikazoom-állító gyűrű elforgatásával állítsa be a nagyítási fokat és a kép élességét.
5. Fénykép készítéséhez nyomja meg a „Capture” (Felvétel) gombot.
6. „Freeze” (Kimerítés) üzemmódban a fényképezéshez röviden nyomja meg az „OK” gombot (kivéve: RC1).

Videó rögzítése

1. Nyomja meg a „Video” (Videó) gombot a videó üzemmódra váltáshoz. A művelet megerősítéseként a képernyő bal felső sarkában található ikon megváltozik.
2. A felvétel megkezdéséhez nyomja meg a felvétel „OK” gombot. **Megjegyzés:** ne tartsa nyomva az „OK” gombot, csak röviden nyomja meg, azután engedje el.
3. A rögzítés leállításához nyomja meg ismét az „OK” gombot.

4. Ha szeretne fényképet készíteni, miközben a mikroszkóp éppen videót rögzít, nyomja meg a „Capture” (Felvétel) gombot. Ha ilyen módon készíti fényképet, a kép felbontása elképzelhető, hogy nem lesz olyan magas, mint a videó felbontása – a kép minősége rosszabb lesz.

Képek és videók megtekintése

1. Helyezze be a microSD kártyát az SD-helyre.
2. A „Video” (Videó) gomb kétszeri megnyomásával lépjen be a megtekintő módba.
3. A „Right” (Jobb) és „Left” (Bal) gombok megnyomásával megtekintheti a képeket és videókat. A videofelvétel lejátszásához nyomja meg a „Capture” (Felvétel) gombot.

Fényképek és videók elmentése számítógépre

1. Helyezze be a microSD kártyát az SD-helyre.
2. Az USB-kábel segítségével csatlakoztassa a mikroszkópot a számítógépre. Ekkor átküldheti a képeket és videókat a számítógépre.

A készülék használata számítógéppel és televízióval

Megtekintés számítógépen (csak RC1, RC3)

Az **AMCAP**, **ViewPlayCap**, **WebCam Monitor** és a **Microscope Measure** program a Levenhuk hivatalos weboldaláról tölthető le.

Levenhuk DTX RC1

Windows 7/8/10, Mac OS:

1. Telepítse a **AMCAP** (Windows 7/8), **ViewPlayCap** (Windows 10), **WebCam Monitor** (Mac OS) szoftvert a számítógépre. A szoftver telepítése után az asztalon megjelenik a **PC camera** ikon.
2. A „ki-/bekapcsoló” gombbal kapcsolja ki az LCD-kijelzőt.
3. Az USB-kábel segítségével csatlakoztassa az LCD-kijelzőt a számítógépre.
4. Amikor a telepítés befejeződött, a számítógép asztalon levő **PC camera** ikonra kattintva indíthatja a megtekintést.

Levenhuk DTX RC3

Windows XP SP3/7/8/10:

1. Telepítse a **Microscope Measure** szoftvert a számítógépre. A szoftver telepítése után az asztalon megjelenik a **Microscope Measure** ikon.
2. A „ki-/bekapcsoló” gombbal kapcsolja ki az LCD-kijelzőt.
3. Az USB-kábel segítségével csatlakoztassa az LCD-kijelzőt a számítógépre.
4. Amikor a telepítés befejeződött, a számítógép asztalon levő **Microscope Measure** ikonra kattintva indíthatja a megtekintést.

Csatlakoztatás Tv-hez/monitorhoz AV csatlakozóval (csak RC3)

1. Csatlakoztassa a mikroszkópot a hálózathoz.
2. AV-kábel segítségével (nem része a csomagnak) csatlakoztassa az LCD-kijelzőt a TV-re vagy monitorra. Az LCD képernyő képe kikapcsol, a csatlakoztatott képernyő kijelzője pedig bekapcsol.
3. Ekkor megkezdheti a megtekintést a képernyőn. Ha a mikroszkópba microSD kártyát illesztett be, fényképeket készíthet és menthet az eszközre. Megjelenítési üzemmódban a videofelvétel funkció nem elérhető.

Csatlakoztatás Tv-hez/monitorhoz HDMI csatlakozóval (csak S200, S300)

1. Csatlakoztassa a mikroszkópot a hálózathoz.
2. HDMI-kábel segítségével (részbe a csomagnak) csatlakoztassa az LCD-kijelzőt a TV-re vagy monitorra. Az LCD képernyő képe kikapcsol, a csatlakoztatott képernyő kijelzője pedig bekapcsol.
3. Ekkor megkezdheti a megtekintést a képernyőn. Ha a mikroszkópba microSD kártyát illesztett be, fényképeket készíthet és menthet az eszközre. Megjelenítési üzemmódban a videofelvétel funkció nem elérhető.

Beállítások

„Menu” (Menü) gomb megnyomásával menjen az LCD-kijelzőn a beállítások menübe. Az irányító gombokkal válassza ki a megfelelő paramétereket „Menu” (Menü) gomb újbóli megnyomásával mentse el a kijelölt paramétereket. A beállítások mentése közben ne kapcsolja ki a mikroszkópot.

Műszaki adatok

Termékazonosító	76821	76822	76823	76824
Modell	Levenhuk DTX RC1	Levenhuk DTX RC2	Levenhuk DTX RC3	Levenhuk DTX RC4
Digitális nagyítás	3–220x	3–200x	5–260x	5–270x
Optikai nagyítás	3–55x	3–50x	5–15x	5–40x
Optika anyaga	optikai üveg			
Váz	metál			
Tárgyasztal	100x160 mm	120x200 mm, minta tartókkal	120x170 mm	120x200 mm, minta tartókkal
Élességállítási (más néven: fókuszálási) rendszer	durva, 23 mm	durva, 150 mm	durva, 100 mm	durva, 77 mm
Megvilágítás	felső (LED) (2 világítótestet a rugalmas karokon és világítás az objektív belsejében)		felső (LED) (2 világítótestet a rugalmas karokon)	
UV-szűrő	+			
Élforgatható, színes LCD képernyő	4,3"	7"	5"	7"
Megapixel (érzékelő/kép)	1/12	2/12	3/12	4/24
Max. felbontás (kép/videó)	4032x3024/1920x1080 px		4032x3024/1920x1080 px	5600x4200/3840x2160 px
Kép/videó formátuma	*.jpg/*.avi		*.jpg/*.avi, *.mov	*.jpg/*.mp4
Érzékelő	1/4	1/2,9	1/3	
Képpont méret	3,0 µm	2,8 µm	2,2 µm	2,0 µm
Érzékenységi	magas érzékenységű érzékelő	3800 mV/Lux-s	2000 mV/Lux-s	1900 mV/Lux-s
Színképtartomány	410–1100 nm			
Manuális beállítások	féhéregyensúly, felvétel vezérlés			
Kimenet (csatlakozók)	microSD, miniUSB	microSD, miniUSB	microSD, miniUSB, HDMI, AV	microSD, miniUSB, HDMI
Operációs rendszer	Windows 7/8/10, Mac OS	–	Windows 7/8/10	–
Tápellátás (mikroszkóp)	110–220 V; 5 V, 2 A USB kábellel			
Tápellátás (infravörös, távoli)	1 db CR2025 elem (tartozék)	2 db AAA elem (nem része a csomagnak)		
Üzemi hőmérséklet-tartomány	–20...+70 °C			

A Levenhuk vállalat fenntartja a jogot, hogy bármely termékét előzetes értesítés nélkül módosítsa vagy kivonja a forgalomból.

Ápolás és karbantartás

- **Ennek az eszköznek a használatával soha, semmilyen körülmények között ne nézzen közvetlenül a Napba, vagy egyéb, nagyon erős fényforrásba vagy lézersugárba, mert ez MARADANDÓ KÁROSODÁST OKOZ A RETINÁJÁBAN ÉS MEG IS VAKULHAT.**
- Legyen kellően óvatos, ha gyermekekkel vagy olyan személyekkel együtt használja az eszközt, akik nem olvasták vagy nem teljesen értették meg az előbbiekben felsorolt utasításokat.
- A mikroszkóp kicsomagolása után, de még annak legelső használata előtt ellenőrizze az alkatrészek és csatlakozások sérülésmentes állapotát és tartósságát.
- Bármilyen legyen is az ok, semmiképpen ne kísérelje meg szétszerelni az eszközt. Ha javításra vagy tisztításra szorul az eszköz, akkor keresse fel az erre a célra specializálódott helyi szolgáltatóközpontot.
- Óvja az eszközt a hirtelen behatásoktól és a hosszabb ideig tartó mechanikai erőktől. Ne használjon túlzott erőt a fókuszt beállításánál. Ne húzza túl a szorítócsavarokat.
- Az optikai elemek felületéhez soha ne érjen az ujjaival. Az eszköz külső megtisztításához használja a Levenhuk által erre a célra gyártott tisztítókendőt és optikai tisztító eszközöket. Az optikai elemek tisztításához ne használjon maró hatású vagy acetonnal-alapú folyadékokat.
- A koptató hatású részecskéket, például a homokot ne törölse le, hanem fújással vagy puha ecsettel távolítsa el a lencséről.
- Ne használja az eszközt hosszú időtartamon keresztül a tűző napon, vagy ne hagyja ott felületeit nélkül. Tartsa az eszközt víztől és magas páratartalomtól védett helyen.
- Legyen körültekintő a megfigyelések során, mindig helyezze vissza a porvédőt a megfigyelés befejeztével, így megóvhatja az eszközt a portól és a szennyeződésektől.
- Ha a mikroszkóp hosszabb ideig használaton kívül van, akkor a mikroszkóptól elkülönítetten tárolja az objektívlencskéket és a szemlencskéket.
- Száraz, hűvös helyen tárolja az eszközt, veszélyes savaktól és egyéb kémiai anyagoktól elkülönítetten, hőszugárzástól, nyílt lángtól és egyéb, magas hőmérsékletet leadni képes forrásoktól távol.
- Lehetőség szerint ne használja a mikroszkópot gyúlékony anyagok közelében (benzol, papír, kartonlap, műanyag, stb.), mivel a megfigyelés során a mikroszkóp talpazata felmelegedhet és így tűzveszélyessé válhat.
- A talpazat kinyitása vagy a megvilágítást biztosító izzó kicserélése előtt minden esetben áramtalanítsa a mikroszkópot. Csere előtt az izzó típusától függetlenül (halogén vagy hagyományos) minden esetben várja meg, amíg az izzó lehűl, és mindig ugyanolyan típusú izzót használjon.
- A tápellátást mindig a megfelelő hálózati feszültségi szint mellett használja, azaz kövesse az újonnan vásárolt mikroszkópjának műszaki leírását. Az eszköznek a leírástól eltérő típusú aljzathoz történő csatlakoztatása tönkretelheti a mikroszkóp áramkörét, kiéghet az izzó vagy akár rövidzárlatot is okozhat ezzel.

- **Azonnal forduljon orvoshoz, amennyiben bárki lenyelt egy kis alkatrészt vagy elemet.**

Az elemekkel kapcsolatos biztonsági intézkedések

- Mindig a felhasználásnak legmegfelelőbb méretű és fokozatú elemet vásárolja meg.
- Elemcsere során mindig az összes elemet egyszerre cserélje ki; ne keverje a régi elemeket a frissel, valamint a különböző típusú elemeket se keverje egymással össze.
- Az elemek behelyezése előtt tisztítsa meg az elemek és az eszköz egymással érintkező részeit.
- Győződjön meg róla, hogy az elemek a pólusokat tekintve is helyesen kerülnek az eszközbe (+ és –).
- Amennyiben az eszközt hosszabb ideig nem használja, akkor távolítsa el az elemeket.
- A lemerült elemeket azonnal távolítsa el.
- Soha ne zárja rövidre az elemeket, mivel így azok erősen felmelegedhetnek, szivárogni kezdenek vagy felrobbanhatnak.
- Az elemek élettartamának megőveléséhez soha ne kísérelje meg felmelegíteni azokat.
- Használat után ne felejtse el kikapcsolni az eszközt.
- Az elemeket tartsa gyermekektől távol, megelőzve ezzel a lenyelés, fulladás és mérgezés veszélyét.

A Levenhuk nemzetközi, élettartamra szóló szavatossága

A Levenhuk vállalat a kiegészítők kivételével az összes Levenhuk gyártmányú teleszkóphoz, mikroszkóphoz, kétszemes távcsőhöz és egyéb optikai termékhez **élettartamra szóló** szavatosságot nyújt az anyaghibák és/vagy a gyártási hibák vonatkozásában. Az élettartamra szóló szavatosság a termék piaci forgalmazási időszakának a végéig érvényes. A Levenhuk kiegészítőkhoz a Levenhuk-vállalat a kiskereskedelmi vásárlás napjától számított **két évig** érvényes szavatosságot nyújt az anyaghibák és/vagy a gyártási hibák vonatkozásában. A Levenhuk vállalat vállalja, hogy a Levenhuk vállalat általi megvizsgálás során anyaghibásnak és/vagy gyártási hibásnak talált terméket vagy termékalkatrészt megjavítja vagy kicseréli. A Levenhuk vállalat csak abban az esetben köteles megjavítani vagy kicserélni az ilyen terméket vagy termékalkatrészt, ha azt a Levenhuk vállalat számára elfogadható vásárlási bizonylattal együtt visszaküldik a Levenhuk vállalat felé. Ez a szavatosság nem vonatkozik a fogyóeszközökre, például az izzólámpákra (függetlenül attól, hogy azok hagyományos elektromos izzók, LED-es izzók, halogén izzók, energiatakarékos izzók vagy más típusú izzók-e), az elemekre (beleértve a nem tölthető elemeket és a tölthető akkumulátorokat is), az elektromos fogyóeszközökre stb. További részletekért látogasson el weboldalunkra: www.levenhuk.hu/garancia Amennyiben garanciális probléma lépne fel vagy további segítségre van szüksége a termék használatát illetően, akkor vegye fel a kapcsolatot a helyi Levenhuk üzlettel.

Microscopi Levenhuk DTX RC a controllo remote

IT

Fare riferimento alle fig. 1 (strumento), 2 (schermo LCD), 3 (pannello di controllo) e 4 (accessori). Basta trovare il proprio modello di microscopio per visualizzare tutti i dettagli dello strumento.

Fasi iniziali

- Estrarre il microscopio dalla confezione e posizionarlo con attenzione su una superficie piana.
- Assicurare il palo e il porta vetrino alla base del microscopio usando gli attrezzi forniti.
- Installare lo schermo LCD sul palo e stringere le vite di fissaggio.
- Inserire il cavo di alimentazione nei relativi connettori sulla base e sullo schermo LCD: la retroilluminazione e lo schermo si accenderanno in automatico.
- Tenere premuto il pulsante "Power on/off" (Interruttore on/off) per 2 secondi, in modo da accendere o spegnere lo schermo.

Per salvare le immagini catturate e i video registrati è necessaria una scheda microSD (da acquistare separatamente). Spegnerlo lo strumento e inserire la scheda microSD nel corrispondente slot sul corpo del microscopio, fino a bloccarla in posizione con un clic. Non applicare una forza eccessiva quando si inserisce la scheda microSD. Provare a ruotare la scheda nel caso in cui non si blocchi facilmente in posizione.

In caso di blocco dello schermo LCD, cercare il pulsante "Reset" sul retro dello schermo. Premere il pulsante utilizzando un oggetto sottile, come l'estremità di una graffetta aperta. Così facendo, verranno ripristinate le impostazioni di fabbrica e lo schermo LCD verrà riavviato. Le foto e i video salvati non saranno cancellati.

Filtro UV

Usare un adesivo 3M per unire il filtro UV all'apertura della lente. Il lato filettato del filtro deve essere incollato alla copertura della lente.

Attenzione: Per informazioni riguardo la corretta tensione di rete, fare riferimento alla tabella delle specifiche; non cercare assolutamente di collegare un dispositivo a 220 V a una presa di corrente a 110 V e viceversa senza utilizzare un convertitore di tensione. Si tenga presente che la tensione di rete è di 220–240 V nella maggior parte dei paesi europei e di 110 V negli Stati Uniti e in Canada.

Menù dell'applicazione



Modalità video



Icona stato microSD



00:01 Registrazione video



Modalità fermo immagine



Modalità foto



Modalità riproduzione



Cattura un'immagine

Ingrandimento digitale

Durante le osservazioni, premere il pulsante "Up" (Su) per ingrandire l'immagine e "Down" (Giù) per rimpicciolirla.

Cattura di un'immagine

1. Accendi il microscopio e posiziona un campione sul tavolino.
2. Posizionare l'obiettivo all'altezza desiderata usando la manopola di messa a fuoco grossolana.
3. Regolare la luminosità, in modo che il campione sia illuminato uniformemente.
4. Regolare l'ingrandimento e la nitidezza dell'immagine ruotando la manopola di messa a fuoco grossolana e l'anello dello zoom ottico.
5. Per scattare una foto, premere il pulsante "Capture" (Cattura).
6. In modalità "Freeze" (Blocco), tenere premuto brevemente il pulsante "OK" per scattare una foto (tranne RC1).

Registrazione di un video

1. Premere il pulsante "Video" per passare in modalità video. L'icona nell'angolo superiore sinistro dello schermo cambierà di conseguenza.
2. Premere il pulsante "OK" per iniziare la registrazione. **Nota:** non tenere premuto il pulsante "OK": esercitare una pressione veloce e quindi rilasciare il pulsante.
3. Premere nuovamente il pulsante "OK" per fermare la registrazione.
4. Premere il pulsante "Capture" (Cattura) per scattare una foto mentre il microscopio

sta registrando un video. L'immagine scattata in questo modo potrebbe non avere la stessa risoluzione del video: la qualità dell'immagine risulterà inferiore.

Visualizzare foto e video

1. Inserire la scheda microSD nell'apposito slot.
2. Premere due volte il pulsante "Video" per passare alla modalità di visualizzazione.
3. Premere i pulsanti "Right" (Destra) e "Left" (Sinistra) per scorrere tra le foto e il video. Premere il pulsante "Capture" (Cattura) per riprodurre un video.

Salvare foto e video sul computer

1. Inserire la scheda microSD nell'apposito slot.
2. Utilizzare un cavo USB per connettere il microscopio a un computer. Quindi, trasferire foto e video su tale computer.

Uso con computer e TV

Visualizza sul computer (solo RC1, RC3)

I programmi **AMCAP**, **ViewPlayCap**, **WebCam Monitor**, e **Microscope Measure** possono essere scaricati dal sito web di Levenhuk.

Levenhuk DTX RC1

Windows 7/8/10, Mac OS:

1. Installare il software **AMCAP** (Windows 7/8), **ViewPlayCap** (Windows 10), **WebCam Monitor** (Mac OS) sul computer. Quando l'installazione del software sarà completata, sul desktop apparirà l'icona **PC camera**.
2. Usare l'Interruttore on/off per spegnere lo schermo LCD.
3. Utilizzare un cavo USB per connettere lo schermo LCD a un computer.
4. Una volta completata l'installazione, fare clic sull'icona **PC camera** sul desktop del computer per avviare la visualizzazione.

Levenhuk DTX RC3

Windows XP SP3/7/8/10:

1. Installare il software **Microscope Measure** sul computer. Quando l'installazione del software sarà completata, sul desktop apparirà l'icona **Microscope Measure**.
2. Usare l'Interruttore on/off per spegnere lo schermo LCD.
3. Utilizzare un cavo USB per connettere lo schermo LCD a un computer.
4. Una volta completata l'installazione, fare clic sull'icona **Microscope Measure** sul desktop del computer per avviare la visualizzazione.

Connessione a TV o monitor con ingresso AV (solo RC3)

1. Connettere il microscopio alla rete elettrica.
2. Usare un cavo AV (non Incluso) per connettere lo schermo LCD a una TV o un monitor. L'immagine scomparirà dallo schermo LCD spento e verrà visualizzata dallo schermo connesso.

3. Ora è possibile visualizzare le immagini sullo schermo. Inserendo una scheda microSD nel microscopio, è possibile scattare foto e salvarle. La funzione di registrazione video non è disponibile in questa modalità di visualizzazione.

Connessione a TV o monitor con ingresso HDMI (solo RC3, RC4)

1. Connettere il microscopio alla rete elettrica.
2. Usare un cavo HDMI (Incluso) per connettere lo schermo LCD a una TV o un monitor. L'immagine scomparirà dallo schermo LCD spento e verrà visualizzata dallo schermo connesso.
3. Ora è possibile visualizzare le immagini sullo schermo. Inserendo una scheda microSD nel microscopio, è possibile scattare foto e salvarle. La funzione di registrazione video non è disponibile in questa modalità di visualizzazione.

Setup

Premere il pulsante "Menu" (Menù) per entrare nel menù impostazioni dello schermo LCD. Usare i pulsanti di controllo per selezionare i parametri necessari. Premere di nuovo il pulsante "Menu" (Menù) per salvare i parametri selezionati. Non spegnere il microscopio mentre è in corso il salvataggio delle impostazioni.

Specifiche

ID prodotto	76821	76822	76823	76824
Modello	Levenhuk DTX RC1	Levenhuk DTX RC2	Levenhuk DTX RC3	Levenhuk DTX RC4
Ingrandimento digitale	3–220x	3–200x	5–260x	5–270x
Ingrandimento ottico	3–55x	3–50x	5–15x	5–40x
Materiale delle ottiche	vetro ottico			
Corpo	metallo			
Tavolino	100x160 mm	120x200 mm, con portacampione	120x170 mm	120x200 mm, con portacampione
Sistema di messa a fuoco	grossolana, 23 mm	grossolana, 150 mm	grossolana, 100 mm	grossolana, 77 mm
Illuminazione	superiore (LED) (2 fonti luminose montate su bracci flessibili e illuminazione all'interno dell'obiettivo)		superiore (LED) (2 fonti luminose montate su bracci flessibili)	
Filtro UV	+			
Schermo LDC a colori e girevole	4,3"	7"	5"	7"
Megapixel (sensore/immagine)	1/12	2/12	3/12	4/24
Risoluzione massima (immagine/video)	4032x3024/1920x1080 px		4032x3024/1920x1080 px	5600x4200/3840x2160 px
Immagine/formato video	*.jpg/*.avi		*.jpg/*.avi, *.mov	*.jpg/*.mp4
Sensore	1/4	1/2,9	1/3	
Dimensione pixel	3,0 µm	2,8 µm	2,2 µm	2,0 µm
Sensibilità	sensore a sensibilità elevata	3800 mV/Lux-s	2000 mV/Lux-s	1900 mV/Lux-s
Range spettrale	410–1100 nm			
Impostazioni manuali	bilanciamento del bianco, controllo esposizione			
Uscite (connettori)	microSD, miniUSB	microSD, miniUSB	microSD, miniUSB, HDMI, AV	microSD, miniUSB, HDMI
Sistema operativo	Windows 7/8/10, Mac OS	–	Windows 7/8/10	–
Alimentazione (microscopio)	110–220 V; 5 V, 2 A tramite cavo USB			
Alimentazione (telecomando IR)	batteria CR2025 1 pz. (incluso)	batterie AAA 2 pz. (non incluso)		
Intervallo temperature di funzionamento	–20...+70 °C			

Levenhuk si riserva il diritto di modificare qualsiasi prodotto o sospenderne la produzione senza alcun preavviso.

Cura e manutenzione

- **Non utilizzare in nessun caso questo apparecchio per guardare direttamente il sole, un'altra sorgente di luce ad alta luminosità o un laser, perché ciò potrebbe provocare DANNI PERMANENTI ALLA RETINA e portare a CECITÀ.**
- Nel caso si utilizzi l'apparecchio in presenza di bambini o altre persone che non siano in grado di leggere o comprendere appieno queste istruzioni, prendere le precauzioni necessarie.
- Dopo aver disimballato il microscopio e prima di utilizzarlo per la prima volta, verificare l'integrità e lo stato di conservazione di tutte le componenti e le connessioni.
- Non cercare per nessun motivo di smontare autonomamente l'apparecchio. Per qualsiasi intervento di riparazione e pulizia, contattare il centro di assistenza specializzato di zona.
- Proteggere l'apparecchio da urti improvvisi ed evitare che sia sottoposto ad eccessiva forza meccanica. Durante la messa a fuoco, non applicare una forza eccessiva. Non stringere eccessivamente le viti di bloccaggio.
- Non toccare le superfici ottiche con le dita. Per pulire l'esterno dell'apparecchio, utilizzare soltanto le salviette apposite e gli strumenti di pulizia dell'ottica apposti offerti da Levenhuk. Non utilizzare fluidi corrosivi o a base di acetone per pulire l'ottica del dispositivo.
- Per rimuovere eventuali particelle abrasive, ad esempio sabbia, dalle lenti, non strofinare, ma soffiare oppure utilizzare una spazzola morbida.
- Non utilizzare il dispositivo per lunghi periodi e non lasciarlo incustodito sotto i raggi diretti del sole. Non esporre il dispositivo all'acqua o a elevata umidità.
- Prestare attenzione durante le osservazioni e, una volta terminato, rimettere sempre il coperchio protettivo per proteggere l'apparecchio da polvere e macchie.
- Se non si intende utilizzare il microscopio per periodi prolungati, conservare le lenti obiettivo e gli oculari separatamente dal microscopio.
- Conservare l'apparecchio in un posto fresco e asciutto, al riparo da acidi pericolosi e altri prodotti chimici, da apparecchi di riscaldamento, da fiamme libere e da altre fonti di calore.
- Cercare di non utilizzare il microscopio in prossimità di materiali o sostanze infiammabili (benzene, carta, cartone ecc), poiché la base potrebbe riscaldarsi durante l'utilizzo e rappresentare un rischio di incendio.
- Disconnettere sempre il microscopio dall'alimentazione prima di aprire la base o sostituire la lampadina di illuminazione. Indipendentemente dal tipo di lampadina (alogeno o a incandescenza), attendere che si sia raffreddata prima di cercare di sostituirla e sostituirla sempre con una lampadina dello stesso tipo.
- Utilizzare sempre un'alimentazione di tensione adeguata, cioè quella indicata nelle specifiche del microscopio. Collegare lo strumento a una presa di alimentazione

differente potrebbe provocare il danneggiamento dei circuiti elettrici del microscopio, bruciare la lampadina o addirittura causare un corto circuito.

- **In caso di ingestione di una parte di piccole dimensioni o di una batteria, richiedere immediatamente assistenza medica.**

Istruzioni di sicurezza per le batterie

- Acquistare batterie di dimensione e tipo adeguati per l'uso di destinazione.
- Sostituire sempre tutte le batterie contemporaneamente, evitando accuratamente di mischiare batterie vecchie con batterie nuove oppure batterie di tipo differente.
- Prima della sostituzione, pulire i contatti della batteria e quelli dell'apparecchio.
- Assicurarsi che le batterie siano state inserite con la corretta polarità (+ e -).
- Se non si intende utilizzare l'apparecchio per lungo periodo, rimuovere le batterie.
- Rimuovere subito le batterie esaurite.
- Non cortocircuitare le batterie, perché ciò potrebbe provocare forte riscaldamento, perdita di liquido o esplosione.
- Non tentare di riattivare le batterie riscaldandole.
- Dopo l'utilizzo, non dimenticare di spegnere l'apparecchio.
- Per evitare il rischio di ingestione, soffocamento o intossicazione, tenere le batterie fuori dalla portata dei bambini.

Garanzia internazionale Levenhuk

Tutti i telescopi, i microscopi i binocoli e gli altri prodotti ottici Levenhuk, ad eccezione degli accessori, godono di una **garanzia a vita** per i difetti di fabbricazione o dei materiali. Garanzia a vita rappresenta una garanzia per la vita del prodotto sul mercato. Tutti gli accessori Levenhuk godono di una garanzia di **due anni** a partire dalla data di acquisto per i difetti di fabbricazione e dei materiali. Levenhuk riparerà o sostituirà i prodotti o relative parti che, in seguito a ispezione effettuata da Levenhuk, risultino presentare difetti di fabbricazione o dei materiali. Condizione per l'obbligo di riparazione o sostituzione da parte di Levenhuk di tali prodotti è che il prodotto venga restituito a Levenhuk unitamente ad una prova d'acquisto la cui validità sia riconosciuta da Levenhuk.

Questa garanzia non copre le parti consumabili, come le lampadine (elettriche, LED, alogene, a risparmio energetico o altri tipi di lampadine), batterie (ricaricabili e non ricaricabili), parti elettriche consumabili, ecc.

Per maggiori dettagli, visitare il nostro sito web: eu.levenhuk.com/warranty
Per qualsiasi problema di garanzia o necessità di assistenza per l'utilizzo del prodotto, contattare la filiale Levenhuk di zona.

Mikroskopy sterowane zdalnie Levenhuk DTX RC

PL

Szczegółowe informacje podano na rys. 1 (urządzenie), 2 (ekran LCD), 3 (panel sterowania) i 4 (akcesoria). Znajdź swój model mikroskopu i zobacz wszystkie szczegóły dotyczące urządzenia.

Rozpakowanie i pierwsze kroki

- Ostrożnie wyjmij mikroskop z opakowania i umieść go na płaskiej powierzchni.
- Użyj dołączonych łączników do zamontowania ramienia oraz uchwytych do preparatów do podstawy.
- Zamontuj ekran LCD na ramieniu i dokręć śrubę blokującą.
- Podłącz przewód zasilający do odpowiednich złączy w podstawie oraz w ekranie LCD. Podświetlenie i ekran włączą się wtedy automatycznie.
- Naciśnij i przytrzymaj przez 2 sekundy przycisk „Power on/off” (Wł./wył. zasilania) na ekranie, aby włączyć lub wyłączyć ekran.

Na (dostępnej osobno) karcie microSD zapisywane są zdjęcia i nagrane filmy. Wyłącz mikroskop i wsuwa kartę microSD to odpowiedniego gniazda w obudowie mikroskopu aż do momentu jej zablokowania (odgłos kliknięcia). Podczas umieszczania karty microSD w gnieździe nie wywierać na nią nadmiernej siły. Jeżeli umieszczenie karty w gnieździe sprawia trudności, należy ją obrócić.

Jeśli ekran LCD zawiesi się, poszukaj przycisku „Reset” (Resetuj) z tyłu ekranu LCD. Użyj wąskiego przedmiotu, takiego jak wyprostowany spinacz do papieru, aby nacisnąć przycisk. Spowoduje to zresetowanie wszystkich ustawień do domyślnych ustawień fabrycznych i ponowne uruchomienie ekranu LCD. Zapisane zdjęcia oraz filmy nie zostaną usunięte.

Filtr ultrafioletowy

Użyj naklejki 3M do sklejenia ze sobą filtra ultrafioletowego i osłony soczewki. Gwintowaną stronę filtra należy przykleić do osłony soczewki.

Uwaga: Prosimy zapoznać się z tabelą z danymi technicznymi i sprawdzić poprawną wartość napięcia sieciowego. Nie należy podłączać urządzenia o napięciu 220 V do gniazdka o napięciu 110 V ani na odwrót bez użycia przetwornika. Należy pamiętać, że napięcie sieciowe w większości państw europejskich wynosi 220–240 V, natomiast w USA i Kanadzie – 110 V.

Menu aplikacji



Tryb wideo



00:01 Nagrywanie filmów



Tryb zdjęć



Rejestruj obraz



Ikona stanu karty microSD



Tryb obrazu nieruchomego



Tryb przeglądania

Powiększenie cyfrowe

Podczas obserwacji naciśnij przycisk „Up” (W górę), aby powiększyć obraz lub „Down” (W dół), aby zmniejszyć jego powiększenie.

Przechwytywanie obrazu

1. Włącz mikroskop i umieść preparat na stoliku.
2. Ustaw obiekt w na żądanej wysokości przy użyciu pokrętki zgrubnej regulacji ostrości.
3. Wyreguluj jasność oświetlenia, aby próbka była równo oświetlona.
4. Wyreguluj powiększenie i ostrość obrazu, obracając pokrętko zgrubnej regulacji ostrości oraz pierścien powiększenia optycznego.
5. Aby zrobić zdjęcie, naciśnij przycisk „Capture” (Rejestrowanie).
6. W trybie wstrzymania nagrywania, naciśnij krótko przycisk „OK”, aby zrobić zdjęcie (oprócz RC1).

Nagrywanie filmu

1. Naciśnij przycisk „Video” (Wideo), aby przejść do trybu wideo. Ikona w lewym górnym rogu ekranu zmieni się.
2. Naciśnij przycisk „OK”, aby rozpocząć nagrywanie. **Uwaga:** nie przytrzymaj wciśniętego przycisku „OK”; zamiast tego, naciśnij go krótko i zwolnij.
3. Naciśnij ponownie przycisk „OK”, aby wstrzymać nagrywanie.
4. Naciśnij przycisk „Capture” (Rejestrowanie), aby zrobić zdjęcie, gdy mikroskop jest w trybie nagrywania filmów. Zdjęcie zrobione w ten sposób może nie mieć tak wysokiej rozdzielczości jak rozdzielczość filmu – jakość obrazu będzie niższa.

Wyświetlanie zdjęć i filmów

1. Włóż kartę pamięci microSD do gniazda SD.
2. Dwukrotnie naciśnij przycisk „Video” (Filmy), aby przejść do trybu wyświetlania.
3. Naciśnij przyciski „Right” (W prawo) i „Left” (W lewo), aby wyświetlać zdjęcia oraz filmy. Naciśnij przycisk „Capture” (Rejestrowanie), aby rozpocząć odtwarzanie filmu.

Zapisywanie zdjęć i filmów na komputerze

1. Włóż kartę pamięci microSD do gniazda SD.
2. Użyj przewodu USB, aby podłączyć mikroskop do komputera. Możesz teraz przenosić zdjęcia i filmy do komputera.

Użytkowanie w połączeniu z komputerem i telewizorem

Wyświetlanie obrazu na komputerze (tylko RC1, RC3)

Programy **AMCAP**, **ViewPlayCap**, **WebCam Monitor** i **Microscope Measure** można pobrać z oficjalnej witryny internetowej Levenhuk.

Levenhuk DTX RC1

Windows 7/8/10, Mac OS:

1. Zainstaluj oprogramowanie **AMCAP** (Windows 7/8), **ViewPlayCap** (Windows 10), **WebCam Monitor** (Mac OS) na komputerze. Po ukończeniu instalacji oprogramowania na pulpicie zostanie wyświetlona ikona **PC camera**.
2. Wyłącz ekran LCD za pomocą przycisku wł./wył. zasilania.
3. Użyj przewodu USB, aby podłączyć ekran LCD do komputera.
4. Po ukończeniu instalacji kliknij ikonę **PC camera** na pulpicie komputera, aby rozpocząć wyświetlanie.

Levenhuk DTX RC3

Windows XP SP3/7/8/10:

1. Zainstaluj oprogramowanie **Microscope Measure** na komputerze. Po ukończeniu instalacji oprogramowania na pulpicie zostanie wyświetlona ikona **Microscope Measure**.
2. Wyłącz ekran LCD za pomocą przycisku wł./wył. zasilania.
3. Użyj przewodu USB, aby podłączyć ekran LCD do komputera.
4. Po ukończeniu instalacji kliknij ikonę **Microscope Measure** na pulpicie komputera, aby rozpocząć wyświetlanie.

Podłączanie do telewizora/monitora ze złączem AV (tylko RC3)

1. Podłącz mikroskop do zasilania.
2. Użyj przewodu AV (sprzedawany osobno), aby podłączyć ekran LCD do telewizora/monitora. Ekran LCD gaśnie, a wyświetlany obraz pojawia się na podłączonym ekranie.

3. Możesz teraz wyświetlać obraz na ekranie zewnętrznym. Jeśli do mikroskopu włożono kartę pamięci microSD, można robić i zapisywać zdjęcia. Funkcja nagrywania filmów jest niedostępna w tym trybie wyświetlania.

Podłączanie do telewizora/monitora ze złączem HDMI (tylko RC3, RC4)

1. Podłącz mikroskop do zasilania.
2. Użyj przewodu HDMI (w zestawie), aby podłączyć ekran LCD do telewizora/monitora. Ekran LCD gaśnie, a wyświetlany obraz pojawia się na podłączonym ekranie.
3. Możesz teraz wyświetlać obraz na ekranie zewnętrznym. Jeśli do mikroskopu włożono kartę pamięci microSD, można robić i zapisywać zdjęcia. Funkcja nagrywania filmów jest niedostępna w tym trybie wyświetlania.

Konfiguracja

Naciśnij przycisk „Menu”, aby przejść do menu ustawień ekranu LCD. Użyj przycisków sterowania, aby wybrać żądane parametry. Naciśnij ponownie przycisk „Menu”, aby zapisać wybrane parametry. Nie wyłączać zasilania mikroskopu podczas zapisywania ustawień.

Dane techniczne

Identyfikator produktu	76821	76822	76823	76824
Model	Levenhuk DTX RC1	Levenhuk DTX RC2	Levenhuk DTX RC3	Levenhuk DTX RC4
Powiększenie cyfrowe	3–220x	3–200x	5–260x	5–270x
Powiększenie optyczne	3–55x	3–50x	5–15x	5–40x
Materiał układu optycznego	szkło optyczne			
Korpus	metal			
Stolik	100x160 mm	120x200 mm, z zaczepami do preparatów	120x170 mm	120x200 mm, z zaczepami do preparatów
Mechanizm regulacji ostrości	zgrubne, 23 mm	zgrubne, 150 mm	zgrubne, 100 mm	zgrubne, 77 mm
Oświetlenie	górne (LED) (2 lampki na elastycznych ramionach i oświetlenie wewnątrz obiektywu)		górne (LED) (2 lampki na elastycznych ramionach)	
Filtr ultrafioletowy	+			
Obracany kolorowy ekran LCD	4,3"	7"	5"	7"
Megapiksele (matryca/obraz)	1/12	2/12	3/12	4/24
Maks. rozdzielczość (obraz/film)	4032x3024/1920x1080 px		4032x3024/1920x1080 px	5600x4200/3840x2160 px
Format obraz/film	*.jpg/*.avi		*.jpg/*.avi, *.mov	*.jpg/*.mp4
Czujnik	1/4	1/2,9	1/3	
Rozmiar pikseli	3,0 µm	2,8 µm	2,2 µm	2,0 µm
Czułość	bardzo czuła matryca	3800 mV/Lux-s	2000 mV/Lux-s	1900 mV/Lux-s
Zakres spektralny	410–1100 nm			
Ustawienia ręczne	balans bieli, kontrola ekspozycji			
Wyjście (złącza)	microSD, miniUSB	microSD, miniUSB	microSD, miniUSB, HDMI, AV	microSD, miniUSB, HDMI
System operacyjny	Windows 7/8/10, Mac OS	–	Windows 7/8/10	–
Zasilanie (mikroskop)	110–220 V; 5 V, 2 A via przewód USB			
Zasilanie (pilota na podczerwień)	1 szt., baterie CR2025 (w zestawie)	2 szt., baterie AAA (sprzedawany osobno)		
Zakres temperatury pracy	–20...+70 °C			

Levenhuk zastrzega sobie prawo do modyfikowania lub zakończenia produkcji dowolnego produktu bez wcześniejszego powiadomienia.

Konserwacja i pielęgnacja

- **Pod żadnym pozorem nie wolno kierować przyrządu bezpośrednio na słońce, światło laserowe lub inne źródło jasnego światła, ponieważ może to spowodować TRWAŁE USZKODZENIE SIATKÓWKI lub doprowadzić do ŚLEPOTY.**
- **Zachowaj szczególną ostrożność, gdy urządzenia używają dzieci lub osoby, które nie w pełni zapoznały się z instrukcjami.**
- Po rozpakowaniu mikroskopu i przed jego pierwszym użyciem należy sprawdzić stan i prawidłowość podłączenia każdego elementu.
- Nie podejmuj prób samodzielnego demontażu urządzenia, nawet w celu wyczyszczenia lustra. W celu wszelkich napraw i czyszczenia skontaktuj się z punktem serwisowym.
- Chroń przyrząd przed upadkami z wysokości i działaniem nadmiernej siły mechanicznej. Nie należy używać nadmiernej siły podczas ustawiania ostrości. Nie należy dokręcać zbyt mocno śrub blokujących.
- Nie dotykaj powierzchni optycznych palcami. Do czyszczenia zewnętrznych powierzchni przyrządu używaj tylko specjalnych ściereczek i narzędzi do czyszczenia optyki Levenhuk. Nie czyść układu optycznego za pomocą środków żrących lub zawierających aceton.
- Cząsteczki ściernące, takie jak ziarna piasku, powinny być zdmuchiwane z powierzchni soczewek lub usuwane za pomocą miękkiej szczotki.
- Nie wystawiaj przyrządu na długotrwałe działanie promieni słonecznych. Trzymaj z dala od wody. Nie należy przechowywać w warunkach wysokiej wilgoci.
- Podczas obserwacji należy zachować ostrożność. Po zakończeniu obserwacji załóż osłonę przeciwpylewą w celu zabezpieczenia mikroskopu przed kurzem i zanieczyszczeniami.
- W przypadku korzystania z mikroskopu przez dłuższy czas soczewki obiektywowe i okulary oraz mikroskop należy przechowywać osobno.
- Przyrząd powinien być przechowywany w suchym, sztucznym miejscu, z dala od kurzu, niebezpiecznych kwasów oraz innych substancji chemicznych, grzejników, otwartego ognia i innych źródeł wysokiej temperatury.
- Staraj się nie korzystać z mikroskopu w pobliżu łatwopalnych materiałów lub substancji (benzenu, papieru, kartonu, tworzywa sztucznego itp.), ponieważ nagrzewająca się podczas użytkowania podstawa może powodować ryzyko pożaru.
- Przed każdym otwarciem podstawy lub wymianą lampy odłączaj mikroskop od źródła zasilania. Przed wymianą lampy, niezależnie od jej rodzaju (halogenowa lub żarowa), zaczekaj, aż jej temperatura spadnie. Lampy wymieniaj zawsze na modele tego samego typu.
- Pamiętaj, aby moc zasilania była dopasowana do napięcia – jest ono podane w danych technicznych nowego mikroskopu. Podłączenie do gniazda zasilającego

o innej mocy może spowodować uszkodzenie zespołu obwodów elektrycznych przyrządu, spalanie lampy, a nawet zwarcie.

- **W przypadku potknięcia małej części lub baterii należy natychmiast zwrócić się o pomoc medyczną.**

Instrukcje dotyczące bezpiecznego obchodzenia się z bateriami

- Należy używać baterii odpowiedniego typu i w odpowiednim rozmiarze.
- Należy wymieniać wszystkie baterie jednocześnie; nie należy łączyć starych i nowych baterii ani baterii różnych typów.
- Przed włożeniem baterii należy wyczyścić styki baterii i urządzenia.
- Podczas wkładania baterii należy zwracać uwagę na ich bieguny (znaki + i –).
- Jeśli sprzęt nie będzie używany przez dłuższy czas, należy wyjąć baterie.
- Zużyte baterie należy natychmiast wyjąć.
- Nie doprowadzać do zwarcia baterii, ponieważ wiąże się to z ryzykiem powstania wysokich temperatur, wycieku lub wybuchu.
- Nie ogrzewać baterii w celu przedłużenia czasu ich działania.
- Należy pamiętać o wyłączeniu urządzenia po zakończeniu użytkowania.
- Baterie przechowywać w miejscu niedostępnym dla dzieci, aby uniknąć ryzyka potknięcia, uduszenia lub zatrucia.

Gwarancja międzynarodowa Levenhuk

Wszystkie teleskopy, mikroskopy, lornetki i inne przyrządy optyczne Levenhuk, za wyjątkiem akcesoriów, posiadają **dożywotnią gwarancję** obejmującą wady materiałowe i wykonawcze. Dożywotnia gwarancja to gwarancja na cały okres użytkowania produktu. Wszystkie akcesoria Levenhuk są wolne od wad materiałowych i wykonawczych i pozostają takie przez **dwa lata** od daty zakupu detalicznego. Firma Levenhuk naprawi lub wymieni produkty lub ich części, w przypadku których kontrola prowadzona przez Levenhuk wykaze obecność wad materiałowych lub wykonawczych. Warunkiem wywiązania się przez firmę Levenhuk z obowiązku naprawy lub wymiany produktu jest dostarczenie danego produktu firmie razem z dowodem zakupu uznawanym przez Levenhuk.

Niniejsza gwarancja nie obejmuje części eksploatacyjnych, takich jak żarówki (elektryczne, LED, halogenowe, energooszczędne i inne), baterie (akumulatory i zwykłe), akcesoria elektryczne itd.

Więcej informacji na ten temat znajduje się na stronie: pl.levenhuk.com/gwarancja
W przypadku wątpliwości związanych z gwarancją lub korzystaniem z produktu, proszę skontaktować się z lokalnym przedstawicielem Levenhuk.

Microscópios remoto controlado Levenhuk DTX RC

PT

Consulte a Fig. 1 (dispositivo), 2 (ecrã LCD), 3 (painel de controlo) e 4 (acessórios). Encontre o modelo do seu microscópio e veja todos os detalhes do dispositivo.

Iniciar

- Remova o microscópio da embalagem cuidadosamente e coloque-o numa superfície plana.
- Fixe o polo e os suportes para espécimes à base utilizando o equipamento fornecido.
- Instale o ecrã LCD no polo e aperte o parafuso de bloqueio.
- Insira o cabo de alimentação nos conectores correspondentes na base e no ecrã LCD e, em seguida, a luz de fundo e o ecrã acendem-se automaticamente.
- Prima sem soltar o botão “Power on/off” (Ligar/desligar) durante 2 segundos no ecrã para ligar e desligar o ecrã.

É necessário um cartão microSD (comprado em separado) para guardar imagens capturadas e vídeos gravados. Desligue o microscópio e insira o cartão microSD na ranhura correspondente no corpo do microscópio até que fique encaixado com um clique. Não aplique força excessiva ao inserir o cartão microSD. Tente rodar o cartão, se não ficar encaixado com facilidade.

Se o ecrã LCD bloquear, procure o botão “Reset” (Repor) na parte de trás do ecrã LCD. Utilize um objeto estreito, como, por exemplo, um clipe esticado, para premir o botão. Assim, todas as definições serão repostas para as predefinições de fábrica e o ecrã LCD será reiniciado. As fotografias ou os vídeos guardados não serão eliminados.

Filtro UV

Utilize um autocolante 3M para colar o filtro UV e a tampa da lente. O lado roscado do filtro tem de ser colado à tampa da lente.

Atenção: Consulte a tabela de especificações para a voltagem correta. Nunca tente conectar um dispositivo 110 V a uma saída 220 V, e vice-versa, sem o uso de um transformador. Lembre-se que a voltagem nos EUA e no Canadá é 110 V e que, na maioria dos países europeus, a voltagem é 220–240 V.

Menu da aplicação



Modo de vídeo



00:01 Gravação de vídeo



Modo de fotografia



Capturar uma imagem



Ícone de estado de microSD



Modo de imagem estática



Modo de revisão

Ampliação digital

Durante as observações, prima o botão “Up” (Para cima) para ampliar a imagem e o botão “Down” (Para baixo) para reduzir a imagem.

Capturar uma imagem

1. Ligue o microscópio e coloque uma amostra na platina.
2. Defina a objetiva para a altura desejada utilizando o botão de focagem aproximada.
3. Ajuste o brilho da iluminação, de modo a que o espécime esteja uniformemente iluminado.
4. Ajuste a ampliação e a nitidez da imagem rodando o botão de focagem aproximada e o anel de zoom ótico.
5. Para tirar uma fotografia, prima o botão “Capture” (Capturar).
6. No modo “Freeze” (Fixar), prima brevemente o botão “OK” para tirar uma fotografia (exceto RC1).

Gravar um vídeo

1. Prima o botão de “Video” (Vídeo) para mudar para o modo de vídeo. O ícone no canto superior esquerdo do ecrã será alterado ao confirmar.
2. Prima o botão de “OK” para iniciar a gravação. **Nota:** não mantenha o botão “OK” premido; em vez disso, prima brevemente o botão e solte-o.
3. Prima novamente o botão “OK” para parar a gravação.
4. Prima o botão “Capture” (Capturar) para tirar uma fotografia enquanto o

microscópio está a gravar um vídeo. Se tirar uma fotografia desta forma, a resolução de imagem poderá não ser tão elevada como a resolução de vídeo – a qualidade de imagem será inferior.

Ver fotografias e vídeos

1. Insira o cartão microSD na ranhura SD.
2. Prima o botão "Vídeo" duas vezes para ativar o modo de visualização.
3. Prima os botões "Right" (Para a direita) e "Left" (Para a esquerda) para ver as imagens e os vídeos. Prima o botão "Capture" (Capturar) para começar a reproduzir o vídeo.

Guardar fotografias e vídeos num computador

1. Insira o cartão microSD na ranhura SD.
2. Utilize o cabo USB para ligar o microscópio ao computador. Agora, pode transferir as fotografias e os vídeos para um computador.

Utilizar com um computador e TV

Ver num computador (apenas RC1, RC3)

Os programas **AMCAP**, **ViewPlayCap**, **WebCam Monitor** e **Microscope Measure** podem ser transferidos no site oficial da Levenhuk.

Levenhuk DTX RC1

Windows 7/8/10, Mac OS:

1. Instale o software **AMCAP** (Windows 7/8), **ViewPlayCap** (Windows 10), **WebCam Monitor** (Mac OS) no computador. O ícone **PC camera** aparecerá no seu ambiente de trabalho após a conclusão da instalação do software.
2. Utilize o botão "Power on/off" (Ligar/desligar) para desativar o ecrã LCD.
3. Utilize o cabo USB para ligar o ecrã LCD ao computador.
4. Clique no ícone **PC camera** no ambiente de trabalho do seu computador para começar a ver.

Levenhuk DTX RC3

Windows XP SP3/7/8/10:

1. Instale o software **Microscope Measure** no computador. O ícone **Microscope Measure** aparecerá no seu ambiente de trabalho após a conclusão da instalação do software
2. Utilize o botão "Power on/off" (Ligar/desligar) para desativar o ecrã LCD.
3. Utilize o cabo USB para ligar o ecrã LCD ao computador.
4. Clique no ícone **Microscope Measure** no ambiente de trabalho do seu computador para começar a ver.

Ligar a uma TV/monitor com um conector AV (apenas RC3)

1. Ligue o microscópio à alimentação.
2. Utilize um cabo AV (não incluído) para ligar o ecrã LCD à TV/monitor. A imagem no ecrã LCD desliga-se e a visualização no ecrã ligado é iniciada.
3. Agora, pode começar a ver no ecrã. Se for inserido um cartão microSD no microscópio, pode tirar fotografias e guardá-las. A função de gravação de vídeo não está disponível neste modo de visualização.

Ligar a uma TV/monitor com um conector HDMI (apenas RC3, RC4)

1. Ligue o microscópio à alimentação.
2. Utilize um cabo HDMI (incluído) para ligar o ecrã LCD à TV/monitor. A imagem no ecrã LCD desliga-se e a visualização no ecrã ligado é iniciada.
3. Agora, pode começar a ver no ecrã. Se for inserido um cartão microSD no microscópio, pode tirar fotografias e guardá-las. A função de gravação de vídeo não está disponível neste modo de visualização.

Configurar

Prima o botão "Menu" para aceder ao menu de definições do ecrã LCD. Utilize os botões de controlo para seleccionar os parâmetros necessários. Prima novamente o botão "Menu" para guardar os parâmetros seleccionados. Não desligue a alimentação do microscópio enquanto guarda as definições.

Especificações

ID de produto	76821	76822	76823	76824
Modelo	Levenhuk DTX RC1	Levenhuk DTX RC2	Levenhuk DTX RC3	Levenhuk DTX RC4
Ampliação digital	3–220x	3–200x	5–260x	5–270x
Ampliação ótica	3–55x	3–50x	5–15x	5–40x
Material ótico	vidro ótico			
Corpo	metal			
Platina	100x160 mm	120x200 mm, om suportes de espécimes	120x170 mm	120x200 mm, om suportes de espécimes
Foco	grosso, 23 mm	grosso, 150 mm	grosso, 100 mm	grosso, 77 mm
Iluminação	superior (LED) (2 iluminadores em braços flexíveis e iluminação no interior da objetiva)		superior (LED) (2 iluminadores em braços flexíveis)	
Filtro UV	+			
Ecrã LCD a cores com rotação	4,3"	7"	5"	7"
Megapixels (sensor/imagem)	1/12	2/12	3/12	4/24
Máx. resolução (imagem/vídeo)	4032x3024/1920x1080 px		4032x3024/1920x1080 px	5600x4200/3840x2160 px
Formato de imagem/vídeo	*.jpg/*.avi		*.jpg/*.avi, *.mov	*.jpg/*.mp4
Sensor	1/4	1/2,9	1/3	
Tamanho do pixel	3,0 µm	2,8 µm	2,2 µm	2,0 µm
Sensibilidade	sensor altamente sensível	3800 mV/Lux-s	2000 mV/Lux-s	1900 mV/Lux-s
Faixa espectral	410–1100 nm			
Definições manuais	equilíbrio de brancos, controlo de exposição			
Saída (conectores)	microSD, miniUSB	microSD, miniUSB	microSD, miniUSB, HDMI, AV	microSD, miniUSB, HDMI
Sistema operativo	Windows 7/8/10, Mac OS	–	Windows 7/8/10	–
Fonte de alimentação (microscópio)	110–220 V, 5 V, 2 A através do cabo USB			
Fonte de alimentação (IR remoto)	pilhas CR2025 de 1 pc (incluído)	pilhas AAA de 2 pcs (não incluído)		
Intervalo de temperaturas de funcionamento	–20...+70 °C			

Levenhuk se reserva no direito de fazer alterações na variedade e nas especificações dos produtos sem notificação prévia.

Cuidado e manutenção

- **Nunca, em qualquer circunstância, olhe diretamente para o Sol, ou para outra fonte de luz intensa, ou para um laser através deste dispositivo, pois isso pode causar DANOS PERMANENTES À RETINA e pode levar à CEGUEIRA.**
- Tome as precauções necessárias quando usar o dispositivo com crianças, ou com outras pessoas que não leram, ou não compreenderam totalmente estas instruções.
- Após desembalar o microscópio e antes de utilizá-lo pela primeira vez, verifique a integridade e a durabilidade de todos os componentes e ligações.
- Não tente desmontar o dispositivo por conta própria por qualquer motivo. Para fazer consertos de qualquer tipo, por favor entre em contato com seu centro de serviços especializados.
- Proteja o dispositivo de impactos súbitos e de força mecânica excessiva. Não aplique pressão excessiva quando estiver ajustando o foco. Não aperte demasiado os parafusos de bloqueio.
- Não toque nas superfícies ópticas com seus dedos. Para limpar o exterior do dispositivo, use apenas lenços especiais para limpeza e ferramentas especiais de limpeza óptica da Levenhuk. Não utilize fluidos corrosivos, nem baseados em acetona para limpar as partes ópticas.
- Partículas abrasivas, como areia, não devem ser removidas com um pano. Em vez disso, sobre-as, ou retire-as com um pincel suave.
- Não use o dispositivo por períodos de tempo muito longos, nem o deixe abandonado sob a luz direta do Sol. Mantenha longe de água e alta umidade.
- Tenha cuidado durante as suas observações, substitua sempre a capa protetora antipoeira quando concluir as observações de modo a proteger o equipamento contra poeiras e manchas.
- Se não utilizar o microscópio durante muito tempo, guarde as objetivas e os oculares separadamente do microscópio.
- Guarde o dispositivo em um local seco e fresco, longe de ácidos perigosos e outros produtos químicos, de aquecedores, de fogo e de outras fontes de altas temperaturas.
- Ao utilizar o microscópio, não o faça próximo de materiais ou substâncias inflamáveis (benzeno, papel, cartão, plástico, etc.), uma vez que a base pode aquecer durante o uso e provocar um incêndio.
- Desligue sempre o microscópio de uma fonte de alimentação antes de abrir a base ou mudar de lâmpada de iluminação. Independentemente do tipo de lâmpada (halogéneo ou incandescente), deixe arrefecer durante algum tempo antes de a substituir por uma lâmpada do mesmo tipo.
- Utilize sempre a fonte de alimentação com uma tensão adequada, isto é, indicada nas especificações do novo microscópio. A ligação do equipamento a uma tomada diferente pode danificar o circuito elétrico do microscópio, fundir a lâmpada ou provocar um curto-circuito.

- **Procure um médico imediatamente se uma peça pequena ou uma pilha for engolida.**

Instruções de segurança da bateria

- Compre sempre baterias do tamanho e grau mais adequados para o uso pretendido.
- Substitua sempre o conjunto de baterias de uma só vez; tome cuidado para não misturar baterias antigas com novas, ou baterias de tipos diferentes.
- Limpe os contactos da bateria, e também os do dispositivo, antes da instalação da bateria.
- Certifique-se de que as baterias estão instaladas corretamente no que respeita à sua polaridade (+ e -).
- Remova as baterias do equipamento se este não for ser usado por um período prolongado de tempo.
- Remova as baterias usadas prontamente.
- Nunca tente recarregar baterias primárias, pois isso pode causar derrame, incêndio ou explosão.
- Nunca coloque as baterias em curto-circuito, pois isso pode causar altas temperaturas, derrame ou explosão.
- Nunca aqueça as baterias com o intuito de as reanimar. Não desmonte as baterias.
- Lembre-se de desligar os dispositivos após a utilização.
- Mantenha as baterias fora do alcance das crianças, para evitar o risco de ingestão, sufocação ou envenenamento.
- Use as baterias da forma prescrita pelas leis do seu país.

Garantia vitalícia internacional Levenhuk

Todos os telescópios, microscópios, binóculos ou outros produtos ópticos Levenhuk, exceto seus acessórios, são acompanhados de **garantia vitalícia** contra defeitos dos materiais e acabamento. A garantia vitalícia é uma garantia para a vida útil do produto no mercado. Todos os acessórios Levenhuk têm garantia de materiais e acabamento livre de defeitos por **dois anos** a partir da data de compra. A Levenhuk irá reparar ou substituir o produto ou sua parte que, com base em inspeção feita pela Levenhuk, seja considerado defeituoso em relação aos materiais e acabamento. A condição para que a Levenhuk repare ou substitua tal produto é que ele seja enviado à Levenhuk juntamente com a nota fiscal de compra.

Esta garantia não cobre partes consumíveis, tais como lâmpadas (elétricas, de LED, de halogênio, econômicas e outros tipos de lâmpadas), baterias (recarregáveis e não recarregáveis), consumíveis elétricos etc.

Para detalhes adicionais, visite nossa página na internet: www.levenhuk.eu/warranty
Se surgirem problemas relacionados à garantia ou se for necessária assistência no uso do produto, contate a filial local da Levenhuk.

Микроскопы с дистанционным управлением Levenhuk DTX RC

RU

Рассмотрите рисунки 1 (устройство), 2 (ЖК-экран), 3 (пульт управления) и 4 (аксессуары).
Найдите свою модель микроскопа и ознакомьтесь со всеми деталями устройства.

Подготовка микроскопа к работе

- Аккуратно распакуйте микроскоп и установите его на ровную поверхность.
- Закрепите штатив и держатели на основании с помощью комплектного крепежа.
- Установите ЖК-экран на штатив и затяните фиксатор.
- Вставьте кабель питания в соответствующие разъемы в основании и на ЖК-экране, подсветка и экран включатся автоматически.
- Для последующего включения и выключения экрана нажмите на экранную кнопку вкл./выкл. и удерживайте в течение 2 секунд.

Для создания снимков и видеороликов потребуется карта microSD (нет в комплекте). Выключите микроскоп и вставьте карту microSD в соответствующий разъем на корпусе микроскопа до щелчка. Не прикладывайте излишних усилий, чтобы не повредить микроскоп или карту microSD. Если у вас не получается вставить карту, убедитесь, что она расположена верно.

Если ЖК-экран зависнет, найдите на его задней панели кнопку «Перезагрузка». Для нажатия кнопки используйте узкий предмет, например, разогнутую скрепку. Это сбросит все настройки до заводских значений и перезапустит ЖК-экран. Сохраненные фото или видео не будут удалены.

Внимание: помните, что напряжение сети в России и большинстве европейских стран составляет 220–240 В. Если вы хотите использовать устройство в стране с другим стандартом сетевого напряжения, необходимо включать его в розетку только через соответствующий конвертер (преобразователь напряжения).

UV-фильтр

Используйте стикер 3М, чтобы склеить UV-фильтр и крышку объектива. Сторона с резьбой на фильтре должна быть приклеена к крышке объектива.

Значки основного интерфейса



Режим видео



00:01 Запись видео



Режим фото



Создание снимка



Индикатор установки карты microSD



Режим неподвижного изображения



Режим обзора

Цифровое увеличение

Во время наблюдений нажмите кнопку «Вверх», чтобы увеличить изображение, кнопку «Вниз» — чтобы уменьшить.

Как сделать снимок

1. Включите микроскоп и поместите препарат на предметный столик.
2. Установите объектив на нужной высоте при помощи ручки грубой фокусировки.
3. Настройте яркость системы освещения так, чтобы объект был равномерно освещен.
4. Настройте увеличение и резкость изображения, вращая ручку грубой фокусировки и кольцо оптического увеличения.
5. Нажмите кнопку «Съемка», чтобы сделать снимок.
6. В режиме «Стоп-кадр» кратковременно нажмите кнопку «ОК», чтобы сделать снимок (кроме RC1).

Как записать видео

1. Нажмите кнопку «Видео», чтобы перейти в режим видео. Значок в левом верхнем углу дисплея изменится в подтверждение перехода.
2. Нажмите кнопку «ОК», чтобы начать запись. **Примечание:** не зажимайте кнопку «ОК», кратковременно нажмите и отпустите.

3. Нажмите кнопку повторно, чтобы остановить запись.
4. Нажмите кнопку «Съемка», чтобы сделать снимок, пока микроскоп записывает видео. Если вы делаете фото таким образом, разрешение изображения не может быть таким же высоким, как разрешение видео — качество снимка будет ниже.

Просмотр фотографий и видеозаписей

1. Вставьте карту microSD в разъем.
2. Дважды нажмите кнопку «Видео», чтобы включить режим просмотра.
3. Для просмотра сделанных снимков и видеозаписей нажимайте кнопки «Вправо» и «Влево». Чтобы начать воспроизведение видео, нажмите кнопку «Съемка».

Сохранение фотографий и видеозаписей на компьютер

1. Вставьте карту microSD в разъем.
2. Соедините микроскоп с компьютером при помощи USB-кабеля. Теперь вы можете перенести данные на компьютер.

Использование с компьютером и телевизором

Просмотр на компьютере (только RC1, RC3)

Программы **AMCAP**, **ViewPlayCap**, **WebCam Monitor** и **Microscope Measure** можно скачать на официальном сайте **Levenhuk**.

Levenhuk DTX RC1

Windows 7/8/10, Mac OS:

1. Установите программу **AMCAP** (Windows 7/8), **ViewPlayCap** (Windows 10) или **WebCam Monitor** (Mac OS) на ваш компьютер. После завершения установки на вашем рабочем столе появится иконка программы **PC camera**.
2. Выключите ЖК-экран при помощи кнопки вкл./выкл. питания.
3. Соедините ЖК-экран с компьютером при помощи USB-кабеля.
4. Кликните на иконку **PC camera** на рабочем столе компьютера, чтобы начать просмотр.

Levenhuk DTX RC3

Windows XP SP3/7/8/10:

1. Установите программу **Microscope Measure** на ваш компьютер. После завершения установки на вашем рабочем столе появится иконка программы **Microscope Measure**.
2. Выключите ЖК-экран при помощи кнопки вкл./выкл. питания.
3. Соедините ЖК-экран с компьютером при помощи USB-кабеля.
4. Кликните на иконку **Microscope Measure** на рабочем столе компьютера, чтобы начать просмотр.

Подключение к телевизору/монитору с AV-разъемом (только RC3)

1. Подключите микроскоп к сети.
2. Подключите ЖК-экран к телевизору/монитору при помощи AV-кабеля (нет в комплекте). Изображение на ЖК-экране погаснет, и начнется отображение на подключенном экране.
3. Теперь вы можете начать просмотр на экране. Если в микроскоп вставлена карта microSD, вы также можете делать и сохранять фото. В этом режиме отображения функция записи видео будет недоступна.

Подключение к телевизору/монитору с HDMI-разъемом (только RC3, RC4)

1. Подключите микроскоп к сети.
2. Подключите ЖК-экран к телевизору/монитору при помощи HDMI-кабеля (есть в комплекте). Изображение на ЖК-экране погаснет, и начнется отображение на подключенном экране.
3. Теперь вы можете начать просмотр на экране. Если в микроскоп вставлена карта microSD, вы также можете делать и сохранять фото. В этом режиме отображения функция записи видео будет недоступна.

Настройка

Чтобы перейти в меню настроек ЖК-экрана, дважды нажмите кнопку «Меню». Используйте кнопки управления для выбора необходимых параметров. Для сохранения выбранных параметров нажмите кнопку «Меню» повторно. При сохранении настроек не отключайте питание микроскопа.

Технические характеристики

Артикул	76821	76822	76823	76824
Модель	Levenhuk DTX RC1	Levenhuk DTX RC2	Levenhuk DTX RC3	Levenhuk DTX RC4
Цифровое увеличение	3–220 крат	3–200 крат	5–260 крат	5–270 крат
Оптическое увеличение	3–55 крат	3–50 крат	5–15 крат	5–40 крат
Материал оптики	оптическое стекло			
Корпус	металл			
Предметный столик	100x160 мм	120x200 мм, с держателями препарата	120x170 мм	120x200 мм, с держателями препарата
Фокусировка	грубая, 23 мм	грубая, 150 мм	грубая, 100 мм	грубая, 77 мм
Подсветка	верхняя светодиодная (2 осветителя на гибких держателях и подсветка внутри объектива)		верхняя светодиодная (2 осветителя на гибких держателях)	
UV-фильтр	+			
Поворотный цветной ЖК-экран	4,3"	7"	5"	7"
Число мегапикселей (сенсор/изображение)	1/12	2/12	3/12	4/24
Максимальное разрешение изображения/ видео	4032x3024/1920x1080 пикс		4032x3024/1920x1080 пикс	5600x4200/3840x2160 пикс
Формат изображения/видео	*.jpg/*.avi		*.jpg/*.avi, *.mov	*.jpg/*.mp4
Чувствительный элемент	1/4	1/2,9	1/3	
Размер пикселя	3,0 мкм	2,8 мкм	2,2 мкм	2,0 мкм
Чувствительность	высокочувствительный сенсор	3800 мВ/лк·с	2000 мВ/лк·с	1900 мВ/лк·с
Спектральный диапазон	410–1100 нм			
Ручные настройки	баланс белого, контроль экспозиции			
Выход (разъемы)	microSD, miniUSB	microSD, miniUSB	microSD, miniUSB, HDMI, AV	microSD, miniUSB, HDMI
Операционная система	Windows 7/8/10, Mac OS	–	Windows XP SP3/7/8/10	–
Источник питания микроскопа	110–220 В; 5 В, 2 А через USB-кабель			
Источник питания пульта управления	1 батарейка типа CR2025 (в комплекте)	2 батарейки типа AAA (нет в комплекте)		
Диапазон рабочих температур	–20...+70 °С			

Компания Levenhuk оставляет за собой право вносить любые изменения или прекращать производство изделия без предварительного уведомления.

Уход и хранение

- **Никогда не смотрите в прибор на Солнце, на источник яркого света и лазерного излучения — ЭТО ОПАСНО ДЛЯ ЗРЕНИЯ И МОЖЕТ ПРИВЕСТИ К СЛЕПОТЕ!**
- Будьте внимательны, если пользуетесь прибором вместе с детьми или людьми, не ознакомленными с инструкцией.
- После вскрытия упаковки и установки микроскопа проверьте каждый компонент.
- Не разбирайте прибор. Сервисные и ремонтные работы могут проводиться только в специализированном сервисном центре.
- Оберегайте прибор от резких ударов и чрезмерных механических воздействий. Не прикладывайте чрезмерных усилий при настройке фокуса. Не затягивайте стопорные и фиксирующие винты слишком туго.
- Не касайтесь пальцами поверхностей линз. Для внешней очистки прибора используйте специальную салфетку и специальные чистящие средства Levenhuk для чистки оптики. Не используйте для чистки средства с абразивными или коррозионными свойствами и жидкости на основе ацетона.
- Абразивные частицы (например, песок) следует не стирать, а сдувать или смахивать мягкой кисточкой.
- Не подвергайте прибор длительному воздействию прямых солнечных лучей. Не используйте прибор в условиях повышенной влажности и не погружайте его в воду.
- Работайте с микроскопом аккуратно, надевайте на него пылезащитный чехол после работы, чтобы защитить его от пыли и масляных пятен.
- Если объективы и окуляры не используются долгое время, храните их упакованными в сухую коробку, отдельно от микроскопа.
- Храните прибор в сухом прохладном месте, недоступном для пыли, влияния кислот или других активных химических веществ, вдали от отопителей (бытовых, автомобильных), открытого огня и других источников высоких температур.
- Не используйте микроскоп рядом с воспламеняемыми материалами, так как основание микроскопа может нагреться во время работы.
- Всегда отключайте микроскоп от электросети, прежде чем открывать батарейный отсек или менять лампу подсветки. Перед заменой лампы дайте ей остыть и всегда меняйте ее на лампу того же типа.
- Используйте источник питания, соответствующий напряжению сети, иначе может сгореть лампа, повредиться электросхема микроскопа или произойти короткое замыкание.
- **Если деталь прибора или элемент питания были проглочены, срочно обратитесь за медицинской помощью.**

Использование элементов питания

- Всегда используйте элементы питания подходящего размера и соответствующего типа.
- При необходимости замены элементов питания меняйте сразу весь комплект, не смешивайте старые и новые элементы питания и не используйте элементы питания разных типов одновременно.
- Перед установкой элементов питания очистите контакты элементов и контакты в корпусе прибора.
- Устанавливайте элементы питания в соответствии с указанной полярностью (+ и –).
- Если прибор не используется длительное время, следует вынуть из него элементы питания.
- Оперативно вынимайте из прибора использованные элементы питания.
- Не пытайтесь перезарядить гальванические элементы питания — они могут протечь, воспламениться или взорваться.
- Никогда не закорачивайте полюса элементов питания — это может привести к их перегреву, протечке или взрыву.
- Не пытайтесь нагревать элементы питания, чтобы восстановить их работоспособность.
- Не разбирайте элементы питания.
- Выключайте прибор после использования.
- Храните элементы питания в недоступном для детей месте, чтобы избежать риска их проглатывания, удушья или отравления.
- Утилизируйте использованные батарейки в соответствии с предписаниями закона.

Международная пожизненная гарантия Levenhuk

Компания Levenhuk гарантирует отсутствие дефектов в материалах конструкции и дефектов изготовления изделия. Продавец гарантирует соответствие качества приобретенного вами изделия компании Levenhuk требованиям технической документации при соблюдении потребителем условий и правил транспортировки, хранения и эксплуатации изделия. Срок гарантии: на аксессуары — **6 (шесть) месяцев** со дня покупки, на остальные изделия — **пожизненная гарантия** (действует в течение всего срока эксплуатации прибора). Гарантия не распространяется на комплектующие с ограниченным сроком использования, в том числе лампы (накаливания, светодиодные, галогенные, энергосберегающие и прочие типы ламп), электрокомплектующие, расходные материалы, элементы питания и прочее. Подробнее об условиях гарантийного обслуживания см. на сайте www.levenhuk.ru/support
По вопросам гарантийного обслуживания вы можете обратиться в ближайшее представительство компании Levenhuk.

The original Levenhuk cleaning accessories



Levenhuk Cleaning Pen LP10



Removes dust with a brush
The soft tip is treated with a special cleaning fluid that removes greasy stains
Does not damage optical coatings of the lenses
Leaves no smudges or stains

levenhuk.com

Levenhuk, Inc. 928 E 124 Ave Ste D, Tampa, FL 33612 USA
Levenhuk® is a registered trademark of Levenhuk, Inc. © 2006–2020 Levenhuk, Inc. All rights reserved.
20201203

levenhuk
Zoom&Joy