

Levenhuk DTX 43

Digital Magnifier

Li-ion
BATTERY

micro
SD

4.3"



7 COLOR
MODES

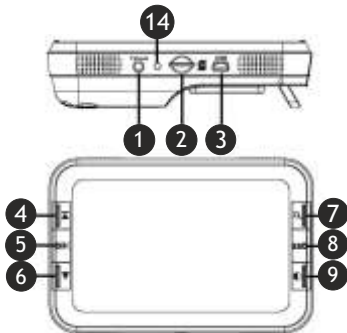
6x 8x 10x 14x

- EN User Manual
- BG Ръководство за потребителя
- CZ Návod k použití
- DE Bedienungsanleitung
- ES Guía del usuario
- HU Használati útmutató
- IT Guida all'utilizzo
- PL Instrukcja obsługi
- PT Manual do usuário
- RU Инструкция по эксплуатации
- TR Kullanım Kılavuzu



*Наслади се отблизо
Radost zaostřít
Zoom ran und hab Fun!
Amplie y disfrute
Kellemes nagyítást!
Ingrandisci il divertimento
Radość przybliżania
Dê um zoom na sua emoção
Приближаает с удовольствием
Yakınlaştırın ve Keyfini Çıkarın*

levenhuk
Zoom&Joy



EN

Magnifier parts:

- 1 TV out
- 2 MicroSD slot
- 3 USB port/DC in
- 4 Forward/Freeze
- 5 Playback
- 6 Backward
- 7 Magnify
- 8 Capture/Delete
- 9 Color mode
- 9 Power on/off
- 11 Battery compartment
- 12 Lens window
- 13 Foldable stand
- 14 Indicator light

DE

Teile der Lupe:

- 1 TV-Ausgang
- 2 Micro-SD-Einschub
- 3 USB/Stromversorgung
- 4 Vor/Standbild
- 5 Wiedergabe
- 6 Zurück
- 7 Vergrößern
- 8 Aufnehmen/Löschen
- 9 Farbmodus
- 10 Ein/Aus
- 11 Batteriefach
- 12 Linsenfenster
- 13 Ausklappbarer Standfuß
- 14 Anzeige-LED

BG

Части на лупата:

- 1 Изход с телевизионен сигнал
- 2 Слот за microSD карта
- 3 USB порт/DC вход
- 4 Напред/фиксиране
- 5 Възпроизвеждане
- 6 Връщане
- 7 Увеличение
- 8 Заснемане/изтриване
- 9 Цветови режим
- 10 Вкл./изкл. на захранването
- 11 Отделение за батериите
- 12 Отвор на обектива
- 13 Сгъваема стойка
- 14 Светлинен индикатор

ES

Piezas de la lupa:

- 1 Conexión de salida a TV
- 2 Ranura microSD
- 3 Puerto USB/DC de entrada
- 4 Adelante/congelar imagen
- 5 Reproducir
- 6 Atrás
- 7 Aumentar
- 8 Capturar/borrar
- 9 Modo de color
- 10 Encendido/apagado
- 11 Compartimento de la batería
- 12 Ventana de la lente
- 13 Soporte plegable
- 14 Luz indicadora

CZ

Části lupy:

- 1 TV výstup
- 2 MicroSD slot
- 3 USB port/DC vstup
- 4 Vpřed/Zmrazit
- 5 Přehrát
- 6 Zpět
- 7 Zvětšit
- 8 Vyfotit/Smazat
- 9 Barevný režim
- 10 Zapnout/Vypnout
- 11 Prostor pro baterie
- 12 Okénko čočky
- 13 Skládací stojánek
- 14 Kontrolka

HU

A nagyító részei:

- 1 TV-kimenet
- 2 MicroSD-foglalat
- 3 USB-port/DC-bemenet
- 4 Előrefele/kimerevítés
- 5 Lejátszás
- 6 Visszafelé
- 7 Nagyítás
- 8 Rögzítés/törlés
- 9 Színmód
- 10 Bekapcsolás/kikapcsolás
- 11 Akkumulátortartó rekesz
- 12 Lencseablak
- 13 Összecsukható állvány
- 14 Jelzőlámpa

IT

Componenti dispositivo d'ingrandimento:

- 1 Uscita TV
- 2 Slot microSD
- 3 Porta USB/Ingresso DC
- 4 Avanti/Blocca
- 5 Riproduci
- 6 Indietro
- 7 Ingrandisci
- 8 Cattura/Elimina
- 9 Modalità colore
- 10 Interruttore on/off
- 11 Comparto batteria
- 12 Finestra lente
- 13 Supporto pieghevole
- 14 Spia alimentazione

RU

Устройство лупы:

- 1 Разъем TV
- 2 Разъем карты microSD
- 3 Разъем USB/кабеля питания
- 4 Кнопка «Вперед/Стоп-кадр»
- 5 Кнопка «Воспроизведение»
- 6 Кнопка «Назад»
- 7 Кнопка изменения увеличения
- 8 Кнопка спуска затвора/кнопка «Удаление»
- 9 Кнопка выбора цветового режима
- 10 Кнопка включения/выключения питания
- 11 Батарейный отсек
- 12 Линза
- 13 Складная подставка
- 14 Индикатор заряда аккумулятора (батареи)

PL

Elementy lupy:

- 1 Wyjście TV
- 2 Gniazdo karty microSD
- 3 Port USB/zasilania DC
- 4 Do przodu/zatrzymanie
- 5 Odtwarzanie
- 6 Do tyłu
- 7 Powiększenie
- 8 Przechwytywanie/usuwanie
- 9 Tryb koloru
- 10 Wł./wył. zasilania
- 11 Komora akumulatora
- 12 Okienko obiektywu
- 13 Składana podstawka
- 14 Kontrolka

TR

Büyüteç parçaları:

- 1 TV çıkışı
- 2 microSD yuvası
- 3 USB bağlantı noktası/DC girişi
- 4 İleri/Dondur
- 5 Oynatma
- 6 Geri
- 7 Büyüt
- 8 Çek/Sil
- 9 Renk modu
- 10 Güç açma/kapama
- 11 PİL bölümü
- 12 Mercek penceresi
- 13 Katlanır sehpa
- 14 Gösterge ışığı

PT

Peças da lupa:

- 1 Saída de TV
- 2 Ranhura de microSD
- 3 Porta USB/Entrada DC
- 4 Avançar/Congelar
- 5 Reprodução
- 6 Retroceder
- 7 Ampliar
- 8 Captar/Eliminar
- 9 Modo de cor
- 10 Ligado/desligado
- 11 Compartimento da bateria
- 12 Janela da lente
- 13 Base dobrável
- 14 Luz Indicadora

Levenhuk DTX 43 Digital Magnifier

Never, under any circumstances, look directly at the Sun, another bright source of light or at a laser through this device, as this may cause PERMANENT RETINAL DAMAGE and may lead to BLINDNESS.

Care and maintenance

To keep your magnifier in good condition, observe the following guidelines:

1. Read the instructions in this user's manual before attempting to use the unit.
2. Do not attempt to repair the magnifier or open its case. This product contains no user serviceable parts.
3. Keep the magnifier away from wet areas, rain, and other sources of liquids. Do not submerge the unit.
4. Always operate the magnifier in a place where the temperature is 0–45 °C (32–113 °F).
5. Always store the magnifier in a cool and dry place at normal room temperature.
6. Do not attempt to force any connector into the unit's USB and microSD ports. All appropriate connectors should fit easily into the ports.

The kit includes: portable digital magnifier, AC adaptor, Li-ion Battery, TV-out cable, USB cable, carrying bag, cleaning fabric, user manual.

Magnifier functions

Loading battery

Please use the Li-ion battery to power the magnifier. Slightly push and pull the battery door latch to open the battery compartment. Load the battery according to the polarities shown inside the battery compartment, and then snap close the battery door.

Note: Remove the battery when it is not in use for a long period of time.

Charging the battery

Before using the magnifier, you must charge its battery.

1. Plug the miniUSB connector of the USB cable into the miniUSB port located on the right side of the magnifier. Then plug the USB connector of the USB cable into the port on the power adaptor, and next plug the power adaptor into a standard AC outlet.
2. When the battery gets charged, the LED indicator turns off. Unplug the magnifier.
3. You can now use your magnifier for up to two hours of continuous use. When the battery is low, the low-power indicator will blink on the right down corner of the screen. Then you have to connect the power adaptor and plug it in to recharge the battery.

Note: Always turn the magnifier off during charging. The battery will not charge if the magnifier is left on.

Reading with the magnifier

To read with the magnifier, operate as the following:

1. Turn on the unit by pressing the Power ON/OFF switch located on side.
2. Pull out the foot of the magnifier until it sits at its maximum range.
3. Place the magnifier flat against the text you want to read.
4. Slide the unit gradually to the right to read to the end of the line. Slide the unit down and back to the left to read the next line of text.
5. To change the level of magnification, press the Magnify button.
6. To change the colors used on the screen, press the Color Mode button until you find the mode best suited for your vision needs.

Using the magnifier

Color Mode selection

Press the Color Mode button to cycle through the magnifier's 7 different color modes as follows: full color, black on white, white on black, blue on white, blue on yellow, yellow on black, yellow on blue.

Magnification adjustment

Press the Magnify button to cycle through the four level of magnifications: 6x, 8x, 10x or 14x.

Freeze image

Press the Forward/Freeze button to switch between freezing and unfreezing the current image.

Capture photo

Load a microSD card (not included) into the microSD card slot. Press the snapshot capture button to capture a photo. The captured photos will be automatically stored in the microSD card.

Playback

Press the Playback button to view captured photos. Press the Forward button or the Backward button to move forth or back. Press the Playback button again will return the magnifier to reading mode.

Delete

Press the Playback button to view captured images. Press the Capture/Delete button to delete an image.


Download captured pictures to a PC

Connect the magnifier to a PC using a standard miniUSB cable. Plug the miniUSB connector of the cable into the miniUSB port on the side of the magnifier, then plug the standard USB connector of the cable into the PC. Turn the power on. You can now download the captured pictures to the PC.

Output to monitor with TV-in

Connect the magnifier with monitor with TV-in by TV video cable, turn the power on and then you can see live video on the monitor.

Low battery indication

If battery power is low, a  symbol appears on the lower right corner of the screen, indicating that you have to charge the battery.

Power off

Turn off the power of the unit by pressing the Power ON/OFF switch (10) located at the side.

To prolong the battery life, please always turn off the magnifier when not using it.

The magnifier will turn off automatically if it is not in use for 5 minutes.

Troubleshooting

| Problem | Solution |
|--|--|
| The screen is blank | Ensure that the power is on. Ensure the battery has enough power. Verify that the item you want to magnify is positioned correctly under the center of the screen. |
| The unit can't be turned on | Change the battery with a new one. Check the installed battery's position. |
| The image on the screen is dark and/or distorted | Ensure that the unit is positioned flat on the page you are reading. Ensure that the foot of the magnifier flips out to its maximum position. |
| There are smudges or blemishes on the screen | Clean the screen and the Lens (located on the bottom of the unit). |
| Text is too small to read | Press the magnify button. |

Battery safety instructions

Always purchase the correct size and grade of battery most suitable for the intended use. Always replace the whole set of batteries at one time; taking care not to mix old and new ones, or batteries of different types. Clean the battery contacts and also those of the device prior to battery installation. Make sure the batteries are installed correctly with regard to polarity (+ and -). Remove batteries from equipment that is not to be used for an extended period of time. Remove used batteries promptly. Never short-circuit batteries as this may lead to high temperatures, leakage, or explosion. Never heat batteries in order to revive them. Do not disassemble batteries. Remember to switch off devices after use. Keep batteries out of the reach of children, to avoid risk of ingestion, suffocation, or poisoning. Utilize used batteries as prescribed by your country's laws.