

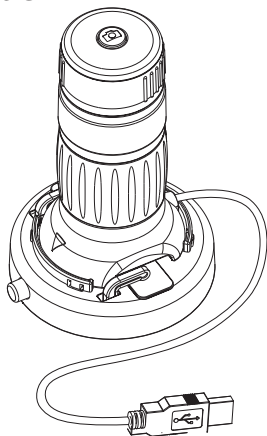
# CARSON

## zPix<sup>TM</sup> 300

86x - 457x Zoom

Digital Microscope

User Guide



↓ PDF: [www.carson.com/MM940guide](http://www.carson.com/MM940guide)

English / Français / Español / Deutsch / 日本語

## ▪ Table of Contents

Important information.....	4
Product description.....	4
Computer requirements & software installation.....	5
Package contents.....	6
Product overview.....	7
Product specification.....	8
Getting started.....	9
Assembling the product.....	9
Connecting the device.....	10
Starting the xploview software.....	10
Windows based PC.....	10
Mac OS based PC.....	10

Focusing.....	11
Zooming.....	12
Using the xploview software.....	13
System settings menu.....	14
Device setup.....	15
Timed shot setup.....	15
Movie setup.....	15
Save setting.....	15
Language setting.....	15
Advanced settings.....	16
Saved files.....	16
Full screen.....	17
Care and maintenance.....	17
Warning.....	18
Warranty description.....	18
Warranty procedure.....	19

## ▪ Important information

Please read this instruction manual carefully before using this product, and retain this instruction for future reference.

Improvements and changes to this text necessitated by typographical errors, or improvements to the software and/or equipments may be made at any time without notice.

## ▪ Product description

This product is a USB powered device which features an effective magnification of 86x to 457x on a 21" computer monitor.

Snapshot of the specimens can be captured using the shutter button located on the top of the device. Video recording is also available.

Compatible with Mac and PC.

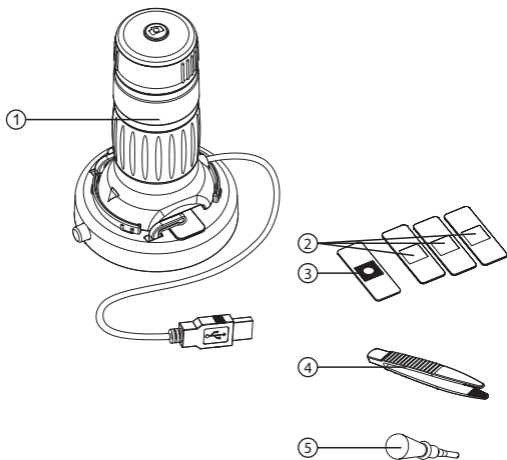
This item can be used with applications that support the viewing of USB video devices (these applications are not included).  
USB 2.0 / 3.0 required. No batteries required.

## ▪ **Computer requirements & Software Installation**

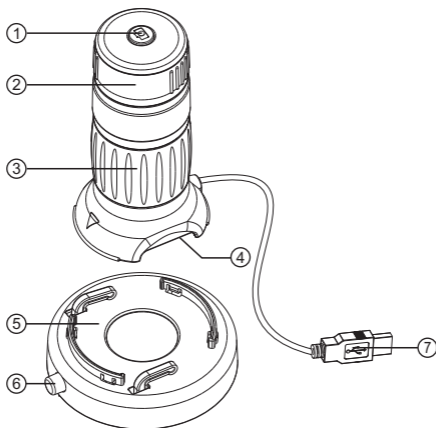
Go to [www.carson.com/software](http://www.carson.com/software) to download the latest software and corresponding software installation guide for the MM-940. The computer requirements (operating system, etc.) may be different depending on the software version.

## ▪ Package contents

- |                                      |    |
|--------------------------------------|----|
| 1. Digital Microscope                | x1 |
| 2. Blank specimen slides             | x3 |
| 3. Prepared slide with cotton swatch | x1 |
| 4. Tweezers                          | x1 |
| 5. Dropper                           | x1 |



## ▪ Product overview



1. Shutter button
2. Focusing ring
3. Zooming ring
4. LED illumination
5. Specimen stage
6. Specimen slide releasing button
7. USB cable

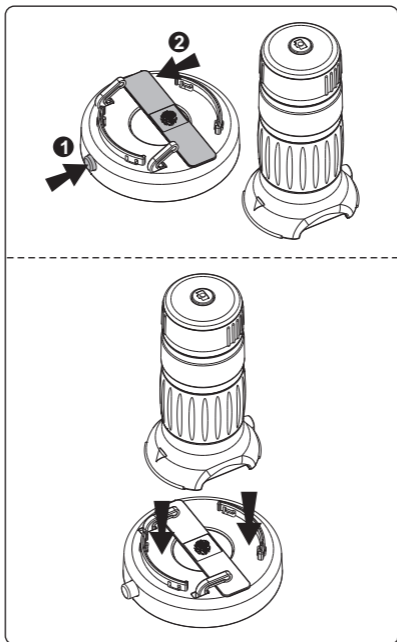
## ▪ Product specification

Connection type	USB 2.0 / 3.0
Effective* magnification	21" monitor - 86x - 457x
Effective viewing area	4.96mm x 3.72mm (without zoom) 0.93mm x 0.70mm (5.3x zoom)
Illumination	Four LED array
Optics	5.3x zoom lens system
Sensor	CMOS
Sensor resolution	1600 x 1200 pixels (UXGA)
Size	85.5mm x 80mm x 130.4mm
Weight	220 grams

\*Please note that the effective magnification is a combination of the optical system and a high powered digital zoom.



- **Getting started**
- **Assembling the product**



Insert a specimen slide into the specimen stage as shown, and place the device on the specimen stage.

## ■ **Connecting the device**

Connect the device to the computer using the USB cable provided.

When the device is connected to the computer for the first time, a driver will automatically be installed by Windows or Mac OS. This process could take up to a few minutes.

## ■ **Starting the xploview software**

### ■ **Windows based PC**

The xploview software can be launched by double clicking the xploview icon from the desktop, or from the start menu (Start > All Programs > xploview).

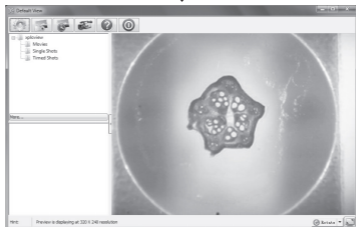
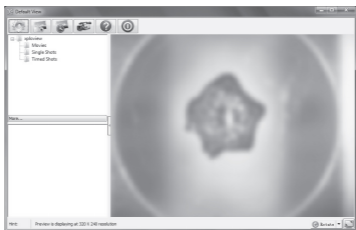
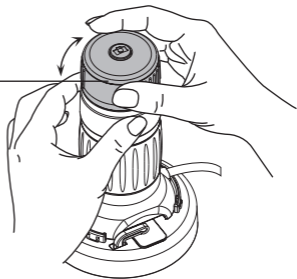
### **Mac OS based PC**

- The xploview software can be launched by double clicking the xploview icon from the Applications menu.

## ■ Focusing

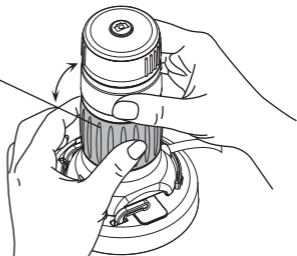
Focusing ring

Adjust the focus of the image manually by rotating the focusing ring.

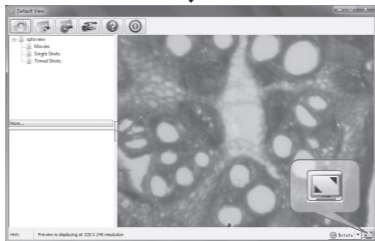
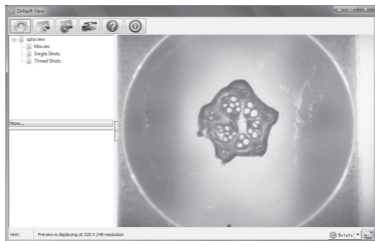


## ■ Zooming

Zooming ring









Zoom in or out of the image manually by rotating the zooming ring.



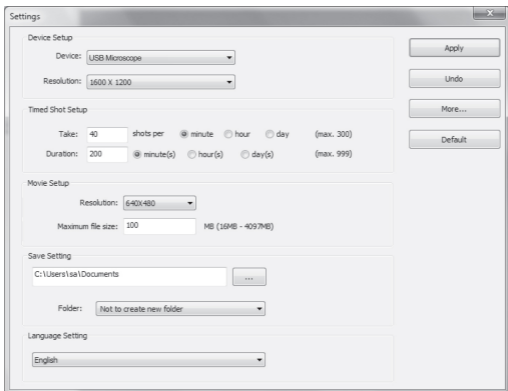
## ▪ Using the xploview software

The following buttons are available:

	Clicking this will open the <b>system settings</b> menu (see next section).
	Clicking this will <b>capture</b> the on screen image of the device.
	Clicking this will activate or deactivate the <b>timed shot</b> feature. When activated, images will be captured at a regular interval.
	Clicking this will activate or deactivate the <b>video recording</b> feature.
	Clicking this will show the copyright and version <b>information</b> of the application software.
	Clicking this will <b>shut down</b> the application software.

## ■ System settings menu

The first time the xploview software is started, the default settings will be loaded, you may change these settings manually in the system settings menu.



## ■ **Device setup**

If the image captured by the Digital Microscope was not displayed by default, you can change this by selecting it from the "Device" drop-down menu.

The resolution of images you capture can be changed from the "Resolution" drop-down menu.

## ■ **Timed shot setup**

The frequency and duration of automatic images capture can be adjusted under this option.

## ■ **Movie setup**

The resolution of videos you record can be changed from the "Resolution" menu. You can also set a maximum file size for each video.

## ■ **Save setting**

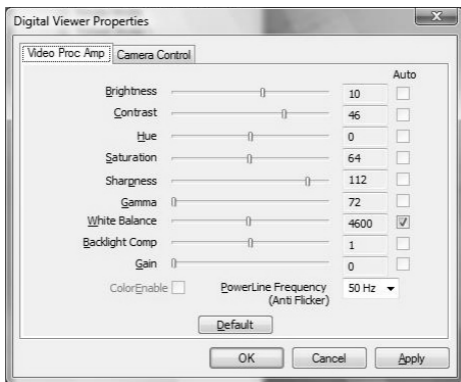
The default location for captured images or videos can be changed under this option.

## ■ **Language setting**

The language of the xploview software can be changed under this option.

## ■ Advanced settings

By clicking the "More..." button on the right of the system settings menu, you will be able to manually adjust all of the image settings. Note that the settings available may be different, depending on your operating system.



## ■ Saved files

With the xpview application software opened, you can locate the saved files folder by clicking the "More..." button located on the left of the main software window.





## ▪ Full screen

To activate the full screen mode, click the full screen button located on the bottom right hand corner of the xploview application software window.

To exit full screen mode, either double click on the screen, or press the “Esc” button on the keyboard.

## ▪ Care and maintenance

- Keep the device dry and protect it from water or vapour.
- Do not leave your device in a place with an extreme high or low temperature.
- Do not touch the device with a wet hand as it may damage the device, or cause an electric shock to the user.
- Do not use or store the device in dusty, dirty areas as its moving parts may be damaged.
- Do not use harsh chemicals, cleaning solvents or strong detergents to clean the device. Wipe it with a soft cloth slightly dampened in a mild soap-and-water solution.

## ▪ **Warning**

- Do not place lighted Digital Microscope upon the eye, doing so may cause permanent eye damage.
- Do not attempt to open or dismantle the Digital Microscope.

### **CARSON ONE YEAR LIMITED WARRANTY**

This Carson product is warranted to be free from defects in material and workmanship for a period of one year from date of purchase. During this period Carson will, at its option and without charge, either repair any part or assembly of parts found to be defective in material or workmanship, or replace this Carson product with a Carson product of comparable value and condition, subject to the limitations and exclusions noted herein. This warranty extends to the original purchaser only and is not assignable or transferable. It shall not apply to any product that has been subject to misuse, abuse, negligence or accident, or to any defects or damage directly or indirectly caused by the use of unauthorized replacement parts and/or service performed by unauthorized personnel.

This warranty gives you specific legal rights, and you may also have other rights which could vary from state to state. Some states do not allow limitations on the life of an implied warranty and/or do not allow excluding or limiting incidental or consequential damages. If so, the above limitations or exclusions may not apply to you.

## **WARRANTY PROCEDURE**

Call or write for authorization. Before returning any product for a warranty claim, a Return Authorization (RA) number must be obtained. No merchandise will be accepted without an RA, and failure to obtain an RA will prevent or delay processing of the warranty claim. To obtain an RA call 631-963-5000, or write to Carson Warranty Service, 2070 5th Ave., Ronkonkoma NY 11779 with a description of the problem. Include your name, address and telephone number.

Package the return carefully. Shippers will not reimburse for damages due to insufficient packaging, even if the merchandise is insured. Print the RA number prominently on the top of the package. Prepay shipping. Insure the package. Send it to Carson Warranty Service, 2070 5th Ave., Ronkonkoma NY 11779. Merchandise must be shipped prepaid. Carson will not accept merchandise C.O.D.