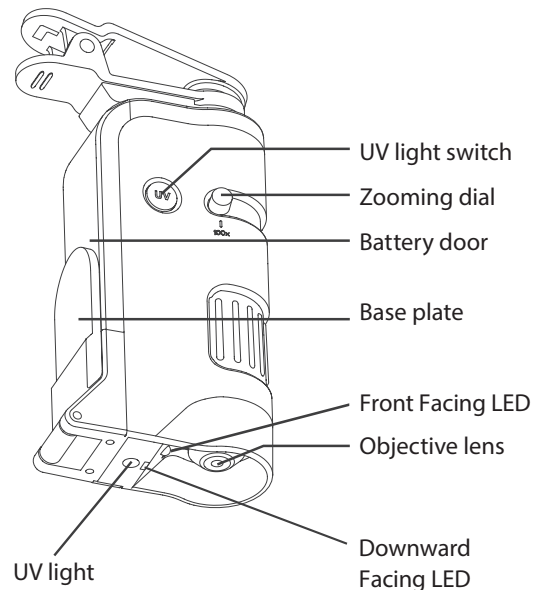
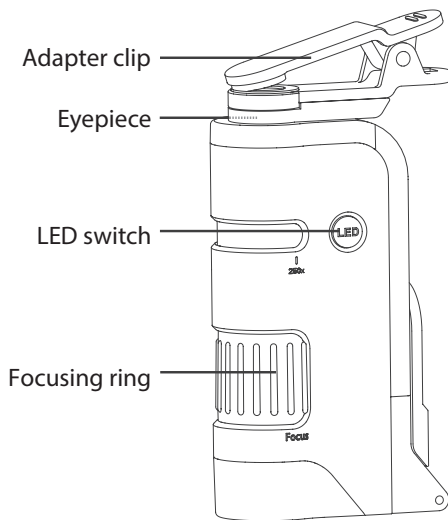
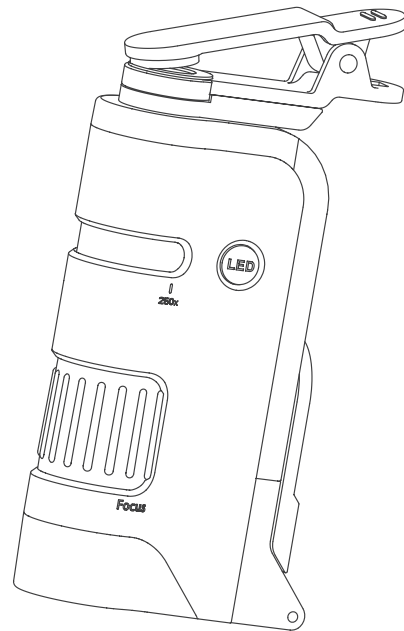


CARSON®

MP-250

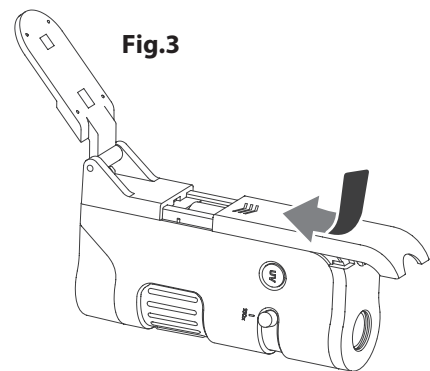
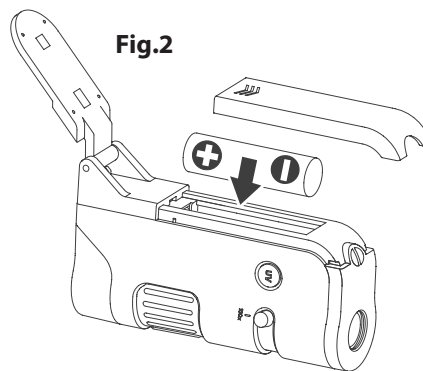
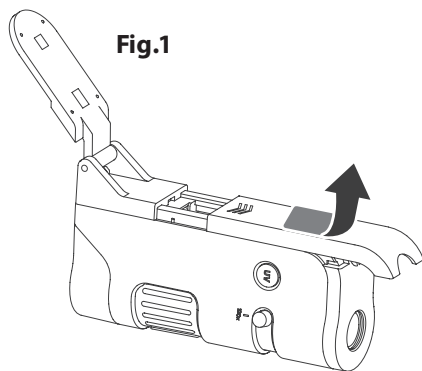
MicroFlip™ 100x–250x Zoom Pocket Microscope

Instructions for Use



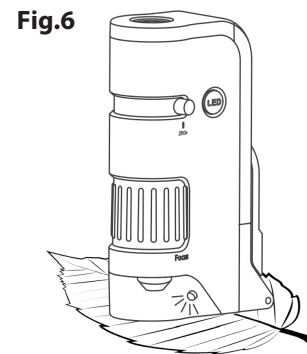
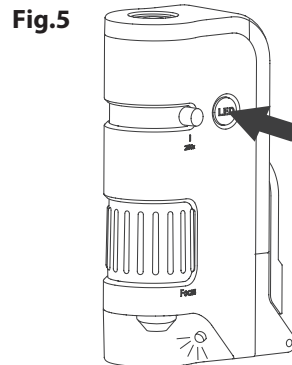
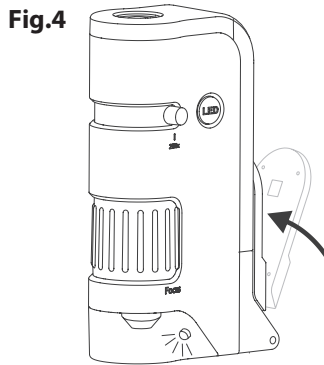
Install the battery

1. Slide open the battery door (Fig.1).
2. Install 1 (one) AA **alkaline battery** with the correct polarity (Fig.2).
3. Attach the battery door (Fig.3).



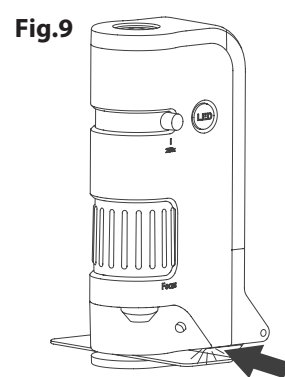
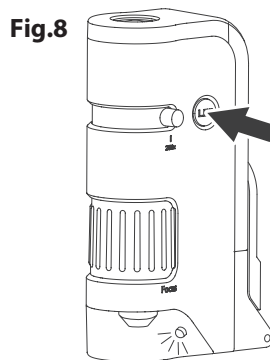
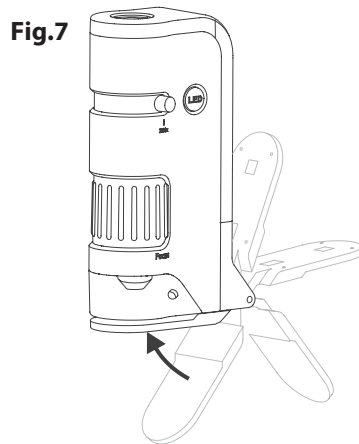
Using the microscope to view objects directly

1. Make sure the base plate sits behind the battery door in the upright position (Fig.4).
2. Press the LED switch to turn on the LED (Fig.5). Please note that when base plate is in upright position only front facing LED will illuminate.
3. Place the viewing object directly below the objective lens (Fig.6).



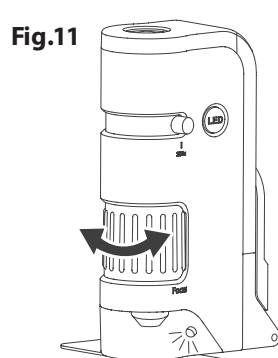
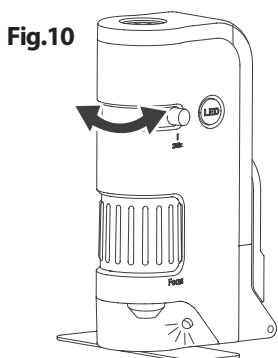
Using the microscope to view specimen slides

1. Flip the base plate down so that it sits on the base of the microscope (Fig.7).
2. Press the LED switch to turn on the LED (Fig.8). Please note that when base plate is down only downward facing LED will illuminate.
3. Insert the specimen slide into the slot between the objective lens and the base plate (Fig.9).



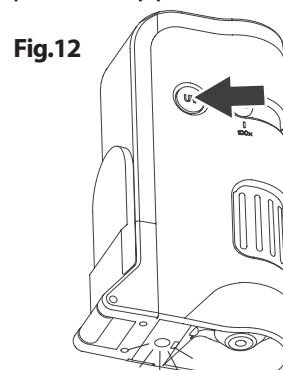
Adjusting zoom & focus

1. Adjust the zooming dial to the desired level of magnification (Fig.10).
2. Rotate the focusing ring until the image is sharp and clear (Fig.11).



UV light

1. Press and hold the UV light switch to activate the UV light (Fig.12).
NOTE: The UV light is deactivated when the base plate is flipped down to the base of the microscope.



WARNING:

Do not look directly at the UV light.

Using the adaptor clip

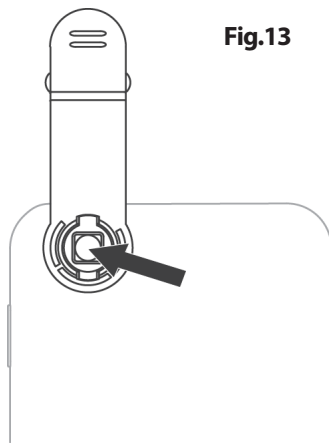


Fig.13

Align the camera of the phone to the center of the circular hole of the adapter clip (Fig.13).

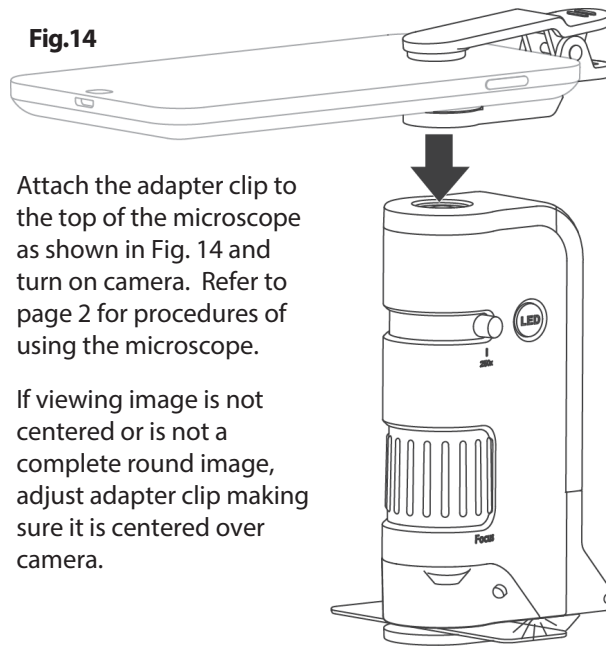


Fig.14

Attach the adapter clip to the top of the microscope as shown in Fig. 14 and turn on camera. Refer to page 2 for procedures of using the microscope.

If viewing image is not centered or is not a complete round image, adjust adapter clip making sure it is centered over camera.

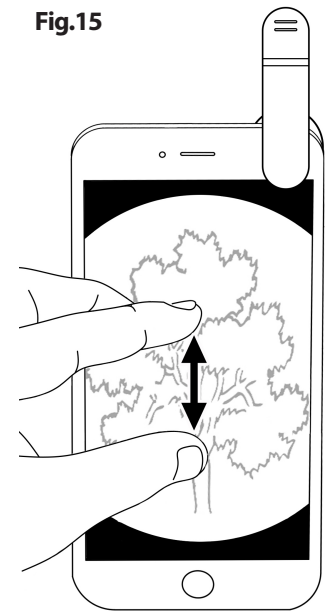


Fig.15

To maximize your image, pinch screen to enlarge. For best results, use in video mode.

WARNING:

Always hold the phone securely during use. If you release the phone while it is attached to the microscope, it can fall which may result in damage to the phone.

MULTIPLE-LENS CAMERA PHONE:

- If there is more than one rear-facing camera, use the primary one. Typically, the primary is a 1x wide-angle color camera, and the other camera(s) are secondary.
- For Apple dual camera phones, the primary camera is the one closest to the corner. Use photo or video mode only.
- For Android, the primary camera can be determined by which does not show an image in your app while blocking the individual camera.
- For the latest instructions on multiple camera phones, please visit www.carson.com/multicam.

Storage & Safety

- Turn off the LED at the end of the observation by pressing the LED switch.
- Remove the battery before storing the microscope for an extended period.
- To avoid possible permanent eye damage, do not look at the sun or bright objects with the microscope, nor place the lighted microscope directly upon human eye.
- The device may get warm after extended period of use. This is normal and should not be considered as a defect.
- Inspect all batteries for signs of corrosion or leakage. Do not expose to fire or excessive heat. **Use alkaline batteries only**, rechargeable batteries are not recommended.

If you experience any difficulties, please contact us and we will be happy to help you.

In the U.S.A.

Phone: 1-631-963-5000

Email: info@carson.com

In the U.K.

Phone: +44 (0) 1938 557440

Email: uksupport@carson.com

In the E.U.

Phone: +44 (0) 1938 557440

Email: eusupport@carson.com

For warranty information, visit www.carson.com/warranty