

Levenhuk Halo 13x PLUS

Digital Night Vision Binoculars

OPTICAL
GLASS

micro
SD

IR
LED

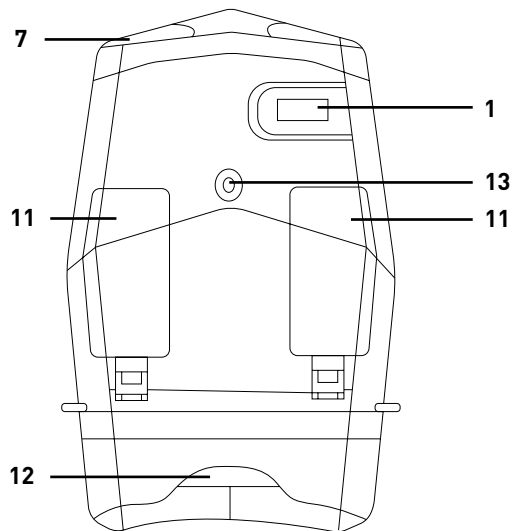
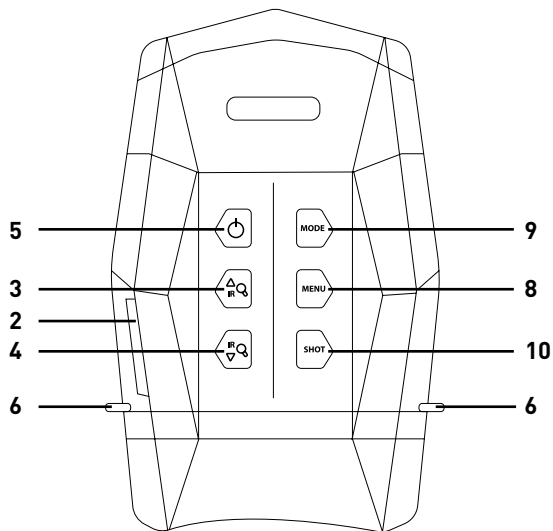
AA
BATTERIES

13x
ZOOM



EN	User Manual
BG	Ръководство за потребителя
CZ	Návod k použití
DE	Bedienungsanleitung
ES	Guía del usuario
HU	Használati útmutató
IT	Guida all'utilizzo
PL	Instrukcja obsługi
PT	Manual do usuário
RU	Инструкция по эксплуатации
TR	Kullanım kılavuzu

levenhuk
Zoom&Joy



EN

- 1 Focusing wheel
- 2 USB and microSD slots
- 3 IR UP button
- 4 IR DOWN button
- 5 POWER/MODE button
- 6 Strap hooks
- 7 IR LEDs
- 8 MENU button
- 9 MODE button
- 10 SHOT button
- 11 Battery compartment
- 12 View area
- 13 Tripod adapter

BG

- 1 Пръстен за фокусиране
- 2 USB и microSD слотове
- 3 Бутон IR UP
- 4 Бутон IR DOWN
- 5 Бутон POWER/MODE
- 6 Куки за ремъка
- 7 Инфрачервени светодиоди
- 8 Бутон MENU
- 9 Бутон MODE
- 10 Бутон SHOT
- 11 Батерийно отделение
- 12 Зона на обзор
- 13 Адаптер за триножник

CZ

- 1 Zaostřovací kolečko
- 2 Sloty USB a microSD
- 3 Tlačítko IR nahoru
- 4 Tlačítko IR dolů
- 5 Tlačítko POWER/MODE
- 6 Háčky popruhu
- 7 IR (infráčervené) LED osvětlení
- 8 Tlačítko MENU
- 9 Tlačítko MODE
- 10 Tlačítko SHOT
- 11 Prostor pro baterie
- 12 Oblast zobrazení
- 13 Adaptér na stativ

DE

- 1 Fokussierrad
- 2 USB- und microSD-Steckplätze
- 3 IR AUF-Taste
- 4 IR AB-Taste
- 5 POWER/MODE-Taste
- 6 Riemenhaken
- 7 IR-LEDs
- 8 MENU-Taste
- 9 MODE-Taste
- 10 SHOT-Taste
- 11 Batteriefach
- 12 Ansichtsbereich
- 13 Stativadapter

ES

- 1 Rueda de enfoque
- 2 Ranuras USB y microSD
- 3 Botón IR UP
- 4 Botón IR DOWN
- 5 Botón POWER/MODE
- 6 Ganchos de correa
- 7 Lámparas LED de infrarrojos
- 8 Botón MENU
- 9 Botón MODE
- 10 Botón SHOT
- 11 Compartimento para pilas
- 12 Área de visión
- 13 Adaptador para trípode

HU

- 1 Fókuszállító kerék
- 2 USB és microSD foglalatok
- 3 IR FEL gomb
- 4 IR LE gomb
- 5 POWER/MODE gomb
- 6 Pántrögzítők
- 7 IR LED-lámpák
- 8 MENU gomb
- 9 MODE gomb
- 10 SHOT gomb
- 11 Elemtartó rekesz
- 12 Nézőfelület
- 13 Adapter háromlábú állványhoz

IT

- 1 Rotella della messa a fuoco
- 2 Slot USB e microSD
- 3 Pulsante IR +
- 4 Pulsante IR -
- 5 Pulsante POWER/MODE
- 6 Anelli per tracolla
- 7 LED IR (infrarossi)
- 8 Pulsante MENU
- 9 Pulsante MODE
- 10 Pulsante SHOT
- 11 Scomparto batterie
- 12 Area di visione
- 13 Attacco per treppiede

PL

- 1 Pokrętko do ustawiania ostrości
- 2 Gniazda USB i karty pamięci MicroSD
- 3 Przycisk IR UP
- 4 Przycisk IR DOWN
- 5 Przycisk POWER/MODE
- 6 Zaczepy na pasek
- 7 Diody LED podczerwieni
- 8 Przycisk MENU
- 9 Przycisk MODE
- 10 Przycisk SHOT
- 11 Komora baterii
- 12 Wyświetlacz
- 13 Adapter do statywu

PT

- 1 Roda de focagem
- 2 Ranhuras USB e microSD
- 3 Botão AUMENTAR IR
- 4 Botão REDUZIR IR
- 5 Botão de POWER/MODE
- 6 Ganchos de fixação da correia
- 7 LEDs infravermelhos
- 8 Botão MENU
- 9 Botão MODE
- 10 Botão SHOT
- 11 Compartimento das pilhas
- 12 Área de visão
- 13 Adaptador do tripé

RU

- 1 Колесо фокусировки
- 2 Слоты USB и microSD
- 3 Кнопка IR UP
- 4 Кнопка IR DOWN
- 5 Кнопка POWER/MODE
- 6 Крепление для ремешка
- 7 Светодиодные индикаторы
- 8 Кнопка MENU
- 9 Кнопка MODE
- 10 Кнопка SHOT
- 11 Батарейный отсек
- 12 Область просмотра
- 13 Резьбовое крепление к штативу

TR

- 1 Odaklama tekeri
- 2 USB ve microSD yuvaları
- 3 IR UP düğmesi
- 4 IR DOWN düğmesi
- 5 POWER/MODE düğmesi
- 6 Kayış kancaları
- 7 KÖ LED'leri
- 8 MENU düğmesi
- 9 MODE düğmesi
- 10 SHOT düğmesi
- 11 Pil bölmesi
- 12 Görüntüleme alanı
- 13 Üçayak adaptörü

Levenhuk Halo 13x PLUS Digital Night Vision Binoculars

EN



Never, under any circumstances, look directly at the Sun, another bright source of light, or at a laser through this device, as it may cause PERMANENT RETINAL DAMAGE and may lead to BLINDNESS.

The kit includes: night vision device, Type-C USB cable, MicroSD card 32GB, strap, pouch, card reader, and user manual.

Please note: IR illumination (infrared radiation) can be detected by photo and video cameras as well as other similar electronic devices during operation.

Specifications

Magnification, x	1–4 (digital)
Objective lens diameter, mm	20
Field of view, °	10.3
Focal ratio	f/1
Close focus, m / ft	3 / 10
Observation distance, m / ft	350–400 (in complete darkness) 1~∞ (in weak light) / 1148–1312 (in complete darkness) 10~∞ (in weak light)
Tripod adapter thread	1/4"
Operating temperature range, °C / °F	-20...+60 (operating), -30...+70 (storage) / -4...+140 (operating), -22...+158 (storage)
IR-illumination	IR LEDs 5W (7 brightness levels)
IR wavelength, nm	850
Recording time with illumination (IR), h	5.5
Recording time without illumination (IR), h	18
Power supply	8 alkaline AA batteries (not included) 5V, 2A power bank or DC adapter (not included)
Daytime recording without IR	color image
Recording at night (in the dark) with IR	black and white image
Storage	class 10, microSD up to 32GB
Image format and resolution	JPG; 3M (2048x1536px), 2M (1600x1200px), 1M (1280x960), VGA (640x480px)
Video format and resolution	AVI; 1080P (1920x1080px@30fps), 960P (1280 x 960px@30fps), VGA (640x480px@30fps)
Language settings	Chinese, Dutch, English, French, German, Italian, Japanese, Korean, Portuguese, Russian, Spanish
Dimensions, mm / in	196x145x62 / 7.7x5.8x2.44
Weight, g/lb	759/1.7
The manufacturer reserves the right to make changes to the product range and specifications without prior notice.	

Getting started

Install batteries

- Open the battery compartment cover (1) and insert 4 batteries according to the correct polarity marks. Close the cover. Repeat the same steps with the second battery compartment.

Installing/removing the memory card

- The device supports memory cards class 10 up to 32 GB.
- Remove the rubber cover (2) from the USB and microSD slots.
- Insert the microSD card into the slot. Make sure the direction is right. Do not force the card in.
- Format the microSD card before starting, as it will improve its compatibility with the device.
- To remove the card from the slot, press the edge of the memory card in gently, and the card will pop out. Then, remove the card.

Note: If the memory card is not installed, a **No Card** message will be displayed, and the "x" symbol will appear next to the memory card icon.

Button panel and device settings

A long press will turn the device on/off and to zoom in/out the image. For the other functions, use a short press.

POWER button

Press and hold the **POWER** button for 3 seconds to turn the device on or off. Turn the focus wheel to adjust the focus.

Notes:

- If the device fails to activate, check for defective or improperly installed batteries. Always only use the recommended batteries.
- If you wear glasses, keep them on while using the device.

IR UP button

If the light is insufficient or when used in the evening, turn on the IR by pressing the **IR UP** button. The image will change from color to black and white. You may select the brightness level from 1 to 7. The brightness values will be displayed on the LCD screen.

Button functions: 1) IR brightness level up; 2) Zoom in; 3) scroll the menu up.

Notes:

- Do not use IR in daylight (when IR is on, you will have a color image, when IR is off — black and white image).
- If the battery power is not enough, the IR LED level will lower automatically. If only half power is left, the max. brightness level is 5. If only 25% power is left, the max. brightness level is 3. If the battery power is lower than 25%, the IR LED cannot be activated.

IR DOWN button

Button functions: 1) IR brightness level down; 2) Zoom out; 3) scroll the menu down.

MODE button

This button switches between 3 in-built modes: 1) photo mode; 2) video mode; and 3) playback mode. The default mode is video.

MENU button

To change the settings, press the **MENU** button and highlight the desired menu item by scrolling up (**IR UP**) or down (**IR DOWN**).

Select the highlighted item by pressing the **SHOT** button.

In the menu, you can select photo or video resolution, night vision sensitivity, change the language, set the date, set auto power off, put the date on photos or videos, format the memory card, view and delete the current file or all files from the memory card, etc.




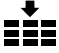




Note: To get to the submenu of the playback mode, you need to select the playback mode first (**MODE** button).

SHOT button

Button functions: 1) takes a picture in Photo mode; 2) starts and stops video recording in Video mode; 3) enters the sub-menu.

Please note that the device can produce a color image, a black and white image, a bright green image, or an image with a color film effect. However, the color image is not available when night mode is on.

Display information

  	Current mode		Night vision sensitivity
	Memory card		Battery status
	Indicating IR levels (1–7)		Indicating the Zoom in levels up to 4x

Copying files

You can transfer files from the device to your smartphone, tablet, or PC directly, without installing an app.

1. Insert the memory card into a card reader; or
2. Connect the device to your computer with a USB cable.

Cleaning and precautions

Do not expose the device to direct sunlight — that could cause a fire!

Do not scratch or touch the optical surfaces with your fingers.

Remove the batteries before cleaning the device! Use only dry, lint-free cloths to wipe the outer parts of the device. Do not use cleaning fluid to avoid the electronics damage.

To avoid scratching the lenses, only use a soft cloth and do not press too hard. Keep the device away from dust and water. Keep the device in a bag or a box. Remove the batteries from the device if it has not been used for a long time.

Battery safety instructions

Always purchase the correct size and grade of battery most suitable for the intended use. Always replace the whole set of batteries at one time; taking care not to mix old and new ones, or batteries of different types. Clean the battery contacts and also those of the device prior to battery installation. Make sure the batteries are installed correctly with regard to polarity (+ and -). Remove batteries from equipment that is not to be used for an extended period of time. Remove used batteries promptly. Never short-circuit batteries as this may lead to high temperatures, leakage, or explosion. Never heat batteries in order to revive them. Do not disassemble batteries. Remember to switch off devices after use. Keep batteries out of the reach of children, to avoid risk of ingestion, suffocation, or poisoning. Utilize used batteries as prescribed by your country's laws.

Levenhuk International Lifetime Warranty

All Levenhuk telescopes, microscopes, binoculars, and other optical products, except for their accessories, carry a **lifetime warranty** against defects in materials and workmanship. A lifetime warranty is a guarantee on the lifetime of the product on the market. All Levenhuk accessories are warranted to be free of defects in materials and workmanship for **six months** from the purchase date. The warranty entitles you to the free repair or replacement of the Levenhuk product in any country where a Levenhuk office is located if all the warranty conditions are met.

For further details, please visit: www.levenhuk.com/warranty

If warranty problems arise, or if you need assistance in using your product, contact the local Levenhuk branch.